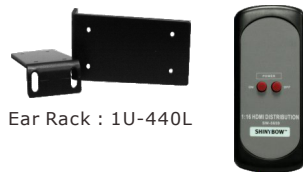


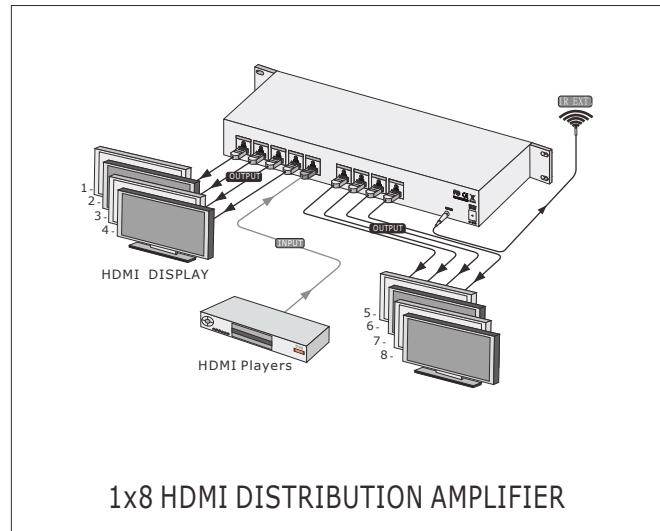
SB-5658p 1x8 HDMI DISTRIBUTION AMPLIFIER

Input : 1x HDMI (Digital Video-TMDS, Digital Audio)
Outputs : 8x HDMI (Digital Video-TMDS, Digital Audio)

HDMI DISTRIBUTOR PRO



SB-5658P HDMI DISTRIBUTION AMPLIFIER 1x8



02

The SB-5658p is high quality HDMI distribution amplifier, high performance designed distribution HDMI signal. Providing 1x input and 8 outputs, the distributor support data rates up to 2.25 Gbps. and enable 1080 p HDMI formats and UXGA DVI resolution to LCD and Plasma display applications. Auto scan function software is built-in to extend HDMI signal for long distance. This product is certified as being fully HDMI and HDCP compliant. This product is also RoHS, CE, FCC compliant. Support high HDMI (HDCP) source to multiple HDMI (HDCP) displays, monitors or projectors.

FEATURES

1. Support 1:8 HDMI Distribution Amplifier
2. I/O Signals : HDMI with HDCP Digital Video and Digital Audio (PCM)
3. HDMI and HDCP compliant
4. Support link speeds of up to 2.25 Gbps (link clock rate of 225 MHz)
5. Support wide range of PC resolutions from XGA to UXGA 1600x1200 and HDTV/DTV resolutions 480i/480p, 576i/576p, 720p, 1080i & 1080p
6. Compatible with all HDMI devices, PC monitors, Plasma TV display and HDTV
7. Support Digital Video TMDS formats in Deep Color 12bits
8. Support colour depth of up to 36 bits and ensures robust transmission of high-quality uncompressed video content, along with state-of-the-art uncompressed and settop boxes.
9. Bi-direction colour space conversion(SCS) between RGB and YCbCr color spaces with programmable coefficients.
10. Auto-Scan input and outputs status via LED display on front panel
11. Control by Selection buttons on front panel and use IR Remote Controller
12. Support IR Extender port with 300M long distance in rear panel
13. Support desktop with Ear mount and 19 inch Rack mountable type panel
14. Power supply DC12Volt, Universal Type switch 100~230VAC, 50/60Hz

SPECIFICATIONS

1. Type of Distributor : 1x8 HDMI Distribution Amplifier
2. Signal Supports : HDMI Standard, DVI and HDCP Compliant
3. Video Supported: 1080p HDMI formats and DVI UXGA 1600x1200 HD resolutions.
4. Audio Supported : DTS-HD Master Audio, Dolby True -HD & Dolby Digital Plus
5. Type of Signal: TMDS Digital Video PCM Digital Audio
6. Compliant with HDMI standard: HDMI and HDCP.
7. HDTV Support: 1080p HDMI formats and UXGA 1600x1200 resolution.
8. Controls: Select buttons on the front panel, IR Remote and IR Extender
9. Data Rates: 250Mbps to 2.25 Gbps. Pixel clocks: 25MHz to 225 Mhz.
10. HDMI Cable Distance: 10 meters at 2.25Gbps.
11. Various video input interface supporting digital video standards such as:
 - RGB/YCbCr : 24/30/36-bits
 - YCbCr : 8/10/12/16/20/24-bits
 - Double data rate interface for RGB/YCbCr : 12/15/18-bits
12. Infrared frequency: 38KHz.
13. Safety Approvals: CE, FCC, RoHS(2002/95/EC).
14. Dimensions : 19" x 7.87" x 1.75" (482mm x 200mm x 44mm)
15. Power Supply: DC12V/0.66A
16. Unit Weight : 2.36 Kgs (3.93 lb)