

AXIS M3011 Fixed Dome Network Camera

Ultra-discreet, recessed-mount video surveillance solution.



- > Ultra-discreet fixed dome design
- > Progressive scan
- > Multiple H.264 streams
- > Easy installation
- > Power over Ethernet

AXIS M3011 Fixed Dome Network Camera, with its innovative and unique design, is specifically developed for recessed mounting in drop ceilings. It offers an unmatched discreet solution that is ideal for video surveillance in retail stores, banks and other office buildings.

With its ultra-discreet fixed dome design, AXIS M3011 measures only 9 cm (3.6") wide and protrudes only 3 cm (1.2") from the ceiling. To suit interior design the cover ring is available in a range of colors.

AXIS M3011 is innovatively designed for quick and easy installation in drop ceilings. Power over Ethernet (IEEE 802.3af) supplies power to the cameras via the network, eliminating the need for power cables and reducing installation costs.

AXIS M3011 uses progressive scan, providing images of moving objects with no distortion.

Multiple H.264 streams, as well as Motion JPEG streams, can be provided simultaneously either in full frame rate or individually optimized for different quality needs and bandwidth constraints. AXIS M3011 also supports MPEG-4 Part 2 for backward compatibility.



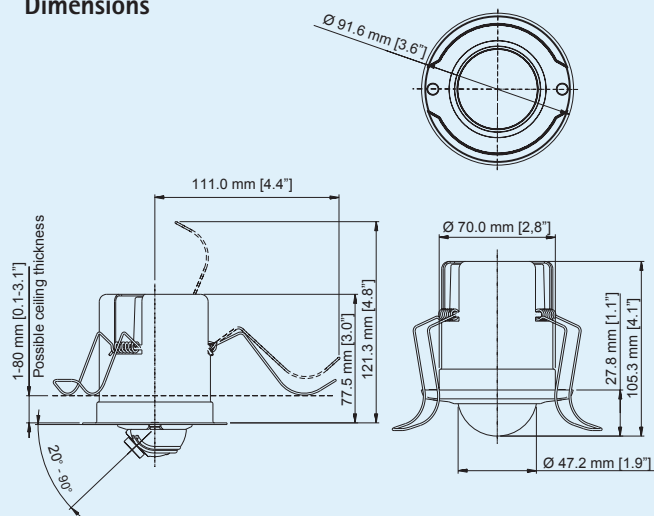
Technical Specifications – AXIS M3011 Fixed Dome Network Camera

Camera	
Image sensor	1/4 " Progressive scan RGB VGA CMOS
Lens	3.0 mm, F2.0, fixed iris Angle of view, horizontal: 66°
Minimum illumination	1 lux, F2.0
Shutter time	1/5000 s to 1/4 s
Video	
Video compression	H.264 Motion JPEG MPEG-4 Part 2 (ISO/IEC 14496-2)
Resolutions	640x480 to 160x120
Frame rate H.264	30 fps in all resolutions
Frame rate Motion JPEG	30 fps in all resolutions
Frame rate MPEG-4 Part 2	30 fps in all resolutions
Video streaming	Multi-stream H.264, Motion JPEG and MPEG-4 Part 2 H.264/MPEG-4 Part 2: 1 stream in full frame rate and resolution Motion JPEG: 2 individually configured streams in full frame rate and resolution More streams in either compression if identical or limited in frame rate/resolution Controllable frame rate and bandwidth VBR/CBR H.264 & MPEG-4 Part 2
Image settings	Compression, color, brightness, sharpness, contrast, white balance, exposure control, exposure zones, backlight compensation, fine tuning of behavior at low light, rotation Text and image overlay Privacy mask

Network	
Security	Password protection, IP address filtering, HTTPS encryption, digest authentication, user access log
Supported protocols	IPv4/v6, HTTP, HTTPS, QoS Layer 3 DiffServ, FTP, SMTP, Bonjour, UPnP, SNMPv1/v2c/v3(MIB-II), DNS, DynDNS, NTP, RTSP, RTP, TCP, UDP, IGMP, RTCP, ICMP, DHCP, ARP, SOCKS
System integration	
Application Programming Interface	Open API for software integration, including VAPIX® from Axis Communications available at www.axis.com
Intelligent video	Video motion detection, active tampering alarm
Alarm triggers	Intelligent video
Alarm events	File upload via FTP, HTTP and email Notification via email, HTTP and TCP
Video buffer	16 MB pre- and post alarm
General	
Casing	Steel and plastic
Processor and memory	ARTPEC-B, 64 MB RAM, 32 MB Flash
Power	Power over Ethernet IEEE 802.3af Class 1
Connectors	RJ-45 10BASE-T/100BASE-TX PoE
Operating conditions	0 – 50 °C (32 – 122 °F) Humidity 20 – 80% RH (non-condensing)
Approvals	EN 55022 Class B, EN 61000-3-2, EN 61000-3-3, EN 55024, FCC Part 15 Subpart B Class B, ICES-003 Class B, VCCI Class B, C-tick AS/NZS CISPR 22, MIC Class B, EN 60950-1
Weight	260 g (0.57 lb.)
Included accessories	Power over Ethernet midspan (1 port) including mains cable, Installation Guide, CD with installation tools, recording software and User's Manual, Windows decoder 1-user license

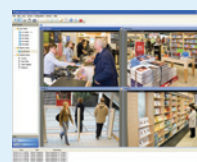
More information is available at www.axis.com

Dimensions



Optional accessories

Different color options for cover rings



For information on AXIS Camera Station and video management software from Axis' Application Development Partners, see www.axis.com/products/video/software/