

# C-LIFT

by Markant





The C-LIFT is **unique** in its class; its designer aluminium format, simple installation, small ceiling space requirement and software controllability makes it the **standard lift** for every presentation room.

Its exceptional **low weight** of only 37,4 lbs / 17kg ensures the C-LIFT can be quickly attached to the ceiling.

Any projector, regardless of its make or



type, can be **easily** attached and adjusted to the projection surface. The projector is installed in the C-LIFT and **only requires** a 11,0"/28cm **ceiling space**.

The projector connection cables run neatly up in a flexible cable guide that **adjusts its movement** to the projector.

There is a finishing edge underneath the lift in which a ceiling tile can be fitted.



This will ensure that the ceiling system has a **professional** finish.

**Security** is also an important consideration, due to the susceptibility of projectors to theft, which poses a definite problem in many organisations. The C-LIFT offers a perfect solution because the projector is **not visible** when not in use: the lift drops it into position only for projection purposes.

# Unique features and benefits of the C-LIFT



Designer aluminium scissor mechanism.



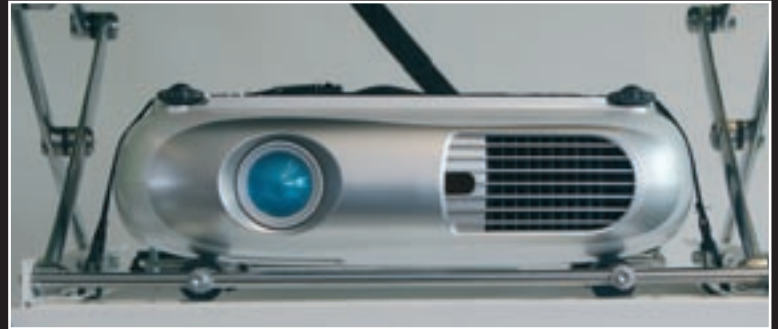
Unique software-controlled and 100% accurate spindle mechanism.



Lead through holes for all connection cables.



Universal attachment for both small and large projectors. Easy to attach and adjust to obtain the correct projection image.



The C-LIFT is equipped with a flexible cable guide to ensure all projector connection cables move up and down without problems.



You can improve the projection image through the Keystone bracket.

Very easy to install:

1.



1. Hook up

2.



2. Pivot up

3.



3. And lock and secure

Accessories C-LIFT

## Plenum housing

The **Plenum housing** ensures that the ceiling system is **closed** hermetically so that fire cannot be transferred to another room in case of fire.



Intelligent adjustment screws



Fire safe cable lead through



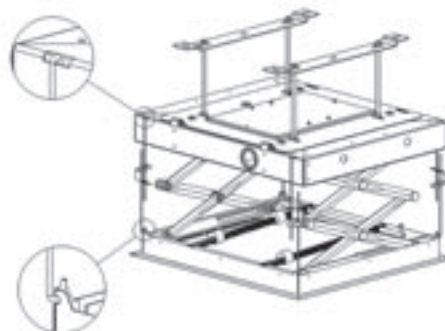
Projector **theft** is, of course, also **less likely** because of the ceiling housing.

Accessories C-LIFT

## Ceiling finishing kit

The **ceiling finishing kit** ensures a **neat finish** of the ceiling system. The pieces of the ceiling panel are made to measure and fall into place in this finishing kit.

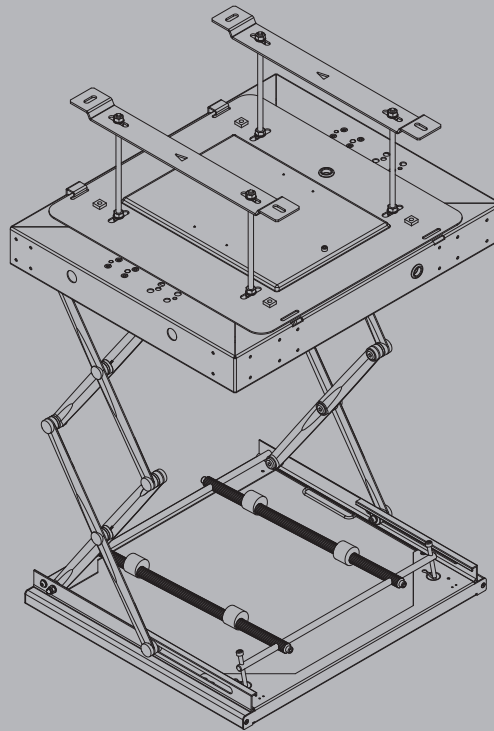
The ceiling finishing kit can be **easily attached** to the C-LIFT using extendible hooks.



Ceiling finishing kit



# Dimensions



## The C-LIFT comes with:

Mould for lift attachment to ceiling, IR remote control, adjustable mounting kit for ceiling attachment, clear mounting instructions.

## Technical specifications C-LIFT:

- Minimum size 11.0" (28cm) incl. projector (in the ceiling)
- Ceiling travel 27.6" (70 cm)
- Maximum load 44.0 lbs (20 kg)
- Lift weight 37.4 lbs (17 kg)
- Dimensions (l x w) 18.2" x 20.2" (46,5 x 51,5 cm)
- IR remote control operation
- Power voltage 120V/240V
- 2 year warranty.

## Technical specifications C-LIFT-XL:

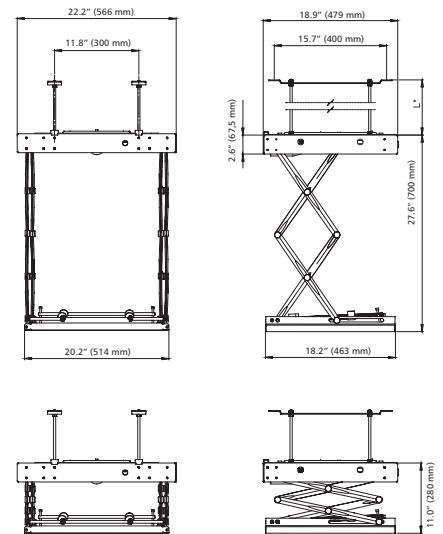
- Minimum size 19.6" (50cm) incl. projector (in the ceiling)
- Ceiling travel 53.1" (135 cm)
- Maximum load 22.0 lbs (10 kg)
- Lift weight 47.3 lbs (21,5 kg)
- Dimensions (l x w) 18.2" x 20.2" (46,5 x 51,5 cm)
- IR remote control operation
- Power voltage 120V/240V
- 2 year warranty.

- Listed: UL, cSAus, CE, GS, TÜV

The C-LIFT is supplied with an IR remote control. The C-LIFT can also be connected to various operating systems or to a simple wall switch. The wiring diagram can be found in the box.



## C-LIFT



## C-LIFT-XL

