

# Rugged Handheld Device 5.7"

**G570Z**

Model Name : R05I98H-RTD1

## Product Features:

- Support Windows XP embedded
- Embedded Intel Atom Z510 1.1GHz
- Built-in 2 megapixel digital camera with LED auxiliary backlight
- Embedded with Micro SD card slot
- Designed for IP65 Dust & Water Protection
- Compliant with MIL-STD 810F Standard
- Optional 1D / 2D Barcode reader/ UHF RFID reader
- Optional 3G Module



## Product Specifications:

System Specification	Processor	Intel® Atom Z510 1.1GHz (Intel Atom Z530 is optional by request)
	System Memory	1 x SODIMM 512 MB DDR2 400/533 (Max 2GB)
	Storage	1 x PATA (Mini PCI-E Interface) SSD 8GB (max 64 GB)
	Operating System	Windows XP embedded
Display Specification	Size	5.7"
	Resolution	640 x 480
	Brightness	500 (typ.)
	Touch	Sunlight Readable Resistive Touch
Wireless Communication	WLAN	Support 802.11 2.4GHz b/g mode
	Bluetooth	Bluetooth Class2 BT2.1+EDR
	WWAN	Optional 3G Module (support HSPA/ UMTS / GPRS / WCDMA / GSM)
	GPS	Built-in GPS module
	Barcode Reader	1D/2D (Optional)
	UHF RFID Reader	Support EPC C1 GEN2 / ISO 18000-6C (840-960MHz) (Optional)
Mechanical and Environment	Dimensions (W x L x H)	120 x 200 x 48 mm (Standard)
	Weight	930g (Standard)
	Operation Temperature	-10°C to 50°C
	Operation Humidity	95% RH, non-condensing
	IP Proof	IP65
	Shock	MIL-STD-810F Method 516.5
	Vibration	MIL-STD-810F Method 514.5
	Drop	MIL-STD-810F Method 516.5, 4 ft, Free to concrete
	Certifications	CE, FCC class B, UL,CCC
I/O Connectors	Left I/O Connectors	1 pogo pin for docking
	Right I/O Connectors	1 x RJ-45 10/100/1000 Mps LAN , 1 x USB 2.0 , 1 x Audio Line-out, Micro-in Jack, 1 x 2.5Ø Power Input Jack, 1 x Sim Card Slot (Optional), 1 x Micro SD Card Slot (Up to 16GB SDHC Card, Optional)
Power Management	Power Input	12V DC
	Power Consumption	5.8 W
	Battery	2 x 2600 mAh, 7.4V, Li-Ion batteries (Support Hotswap Function)
	Battery Operating Time	7hrs 10mins
Field Service Features	Adapter	100-240V, 50-60Hz, 12VDC
	Camera	2.0M pixel Camera with LED auxiliary light (Rear Side , with Auto Focus)

## Order Information:

Model Name	Config
R05I98H-RTD1	Default, no options added
R05I98H-RTD1/RF	With RFID Reader
R05I98H-RTD1/BR	With Barcode Reader
R05I98H-RTD1/3G	With 3G
R05I98H-RTD1/3R	With 3G + RFID Reader
R05I98H-RTD1/3B	With 3G + Barcode Reader

## Accessories:

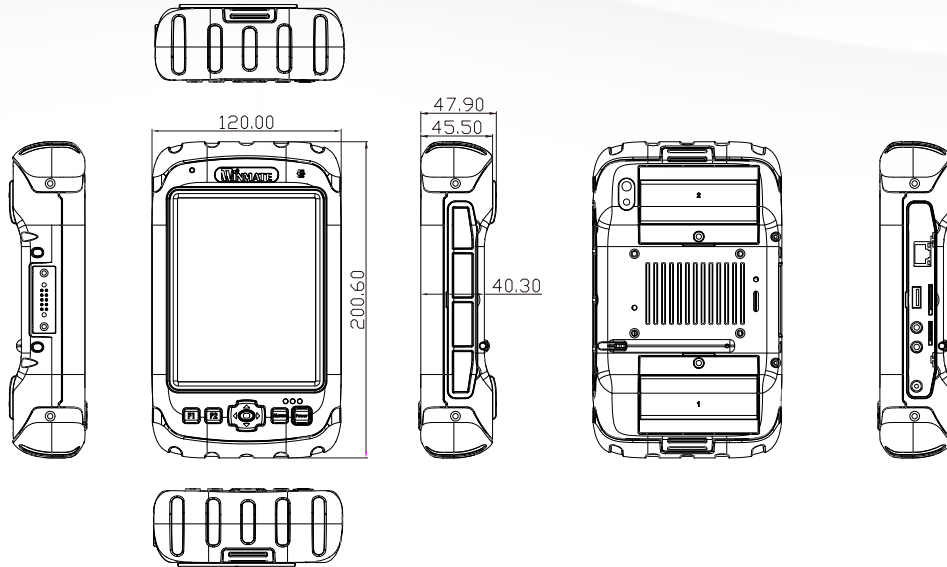
Default	Optional Items
User Manual & Recovery DVD	Vehicle docking station
Hand Strap	Carry bag
100-240V, 50-60Hz, 12VDC Adapter	Car power charger
Touch Pen	Portable Printer
	Strap

# Rugged Handheld Device 5.7"

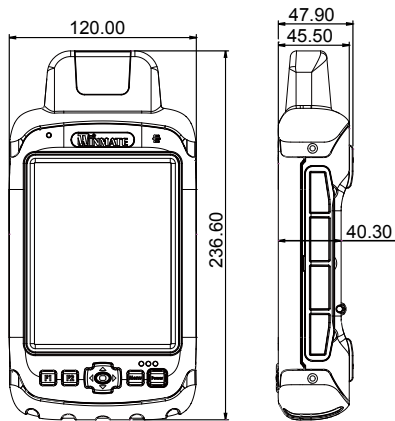
**G570Z**

Model Name : R05I98H-RTD1

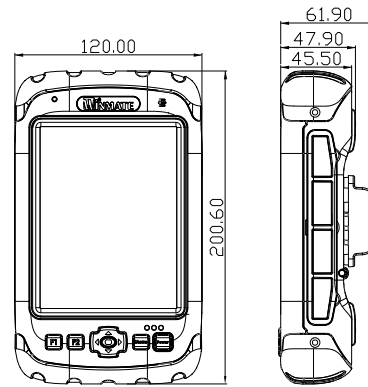
## Dimensions :



**Standard**



**Barcode Reader**



**UHF-RFID Reader**

## Optional specification:

### ◆ 1D/2D Barcode Reader Specification

Barcode Reader : 2D Scan Module  
 2D Support : QR Code, Data Matrix, PDF417, Maxicode, Aztec  
 1D Support : Code 39, Code 128, Codabar, EAN-13, EAN-8, UPC-E, UPC-A, Interleaved 2 of 5, Code 93, ISBN/ISSN, China post 25.

### ◆ RFID reader Specification

UHF RFID Reader : Support EPC C1 GEN/  
 ISO 18000-6C (840~960MHz)

Barcodes	Density (mil)	Near (mm)	Far (mm)
Code 39	5	55	115
Code 39	10	30	215
PDF417	5	50	105
PDF417	10	30	215
QR Code	10	25	135
QR Code	15	25	210
Datamatrix	10	25	150
Datamatrix	15	20	220

Reference Standards:	EPC C1 GEN2/ISO 18000-6C
Operating Frequency:	840~960 MHz
Scan Field	20-100cm (Actual distance depends on the type of tag and the surrounding environment.)

Rev.	Reasons	Revised Date
1.0	First release	Oct.13.11
1.1	Spec Change	Nov.21.11