

# TS64MSD64V6J

200PIN DDR266 Unbuffered SO-DIMM  
512MB With 64Mx8 CL2.5

## Description

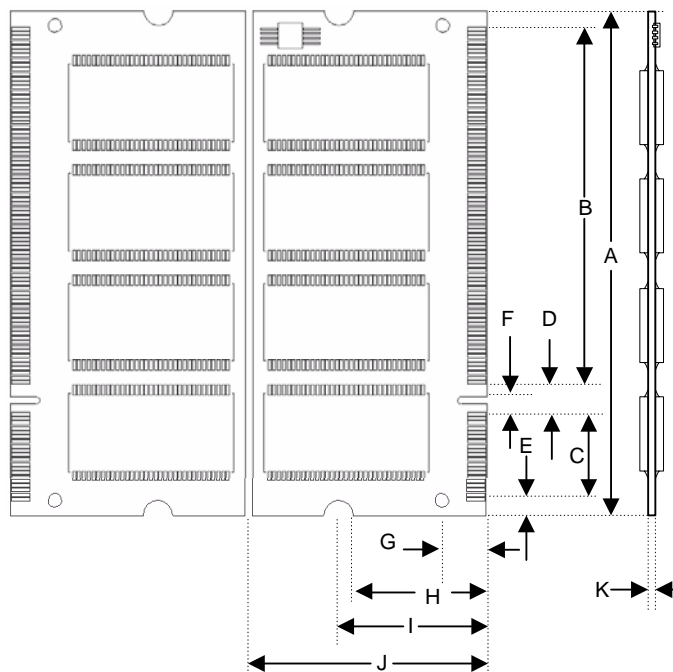
The TS64MSD64V6J is a 64M x 64bits Double Data Rate SDRAM high-density for DDR266. The TS64MSD64V6J consists of 8pcs CMOS 64Mx8 bits Double Data Rate SDRAMs in 66 pin TSOP-II 400mil packages, and a 2048 bits serial EEPROM on a 200-pin printed circuit board. The TS64MSD64V6J is a Dual In-Line Memory Module and is intended for mounting into 200-pin edge connector sockets.

Synchronous design allows precise cycle control with the use of system clock. Data I/O transactions are possible on both edges of DQS. Range of operation frequencies, programmable latencies allow the same device to be useful for a variety of high bandwidth, high performance memory system applications.

## Features

- RoHS compliant products.
- Power supply : VDD: 2.5V  $\pm$  0.2V, VDDQ: 2.5V  $\pm$  0.2V
- Max clock Freq : 133MHZ.
- Double-data-rate architecture; two data transfers per clock cycle
- Differential clock inputs (CK and /CK)
- DLL aligns DQ and DQS transition with CK transition
- Auto and Self Refresh 7.8us refresh interval.
- Data I/O transactions on both edge of data strobe.
- Edge aligned data output, center aligned data input.
- Serial Presence Detect (SPD) with serial EEPROM
- SSTL-2 compatible inputs and outputs.
- MRS cycle with address key programs.
  - CAS Latency (Access from column address) : 2.5
  - Burst Length (2,4,8)
  - Data Sequence (Sequential & Interleave)

## Placement



PCB:09-1220

# TS64MSD64V6J

200PIN DDR266 Unbuffered SO-DIMM  
512MB With 64Mx8 CL2.5

## Dimensions

Side	Millimeters	Inches
A	67.60±0.20	2.661±0.008
B	47.40	1.866
C	11.40	0.449
D	4.20	0.165
E	2.15	0.085
F	1.80	0.071
G	6.00	0.236
H	18.00	0.709
I	20.00	0.787
J	31.75±0.20	1.250±0.008
K	1.00±0.10	0.039±0.004

(Refer Placement)

## Pin Identification

Symbol	Function
A0~A12,BA0,BA1	Address input
DQ0~DQ63	Data Input / Output.
DQS0~DQS7	Data strobe input/output
CK0~CK1 /CK0~CK1	Clock Input.
CKE0	Clock Enable Input.
/CS0	Chip Select Input.
/RAS	Row Address Strobe
/CAS	Column Address Strobe
/WE	Write Enable
DM0~DM7	Data-in Mask
VDD	+2.5 Voltage power supply
VDDQ	+2.5 Voltage Power Supply for DQS
VREF	Power Supply for Reference
VDDSPD	+2.5 Voltage Serial EEPROM Power Supply
SA0~SA2	Address in EEPROM
SCL	Serial PD Clock
SDA	Serial PD Add/Data input/output
VSS	Ground
NC	No Connection

# TS64MSD64V6J

200PIN DDR266 Unbuffered SO-DIMM

512MB With 64Mx8 CL2.5

## Pinouts:

Pin No	Pin Name	Pin No	Pin Name	Pin No	Pin Name	Pin No	Pin Name	Pin No	Pin Name	Pin No	Pin Name
01	VREF	69	VDD	137	VSS	02	VREF	70	VDD	138	VSS
03	VSS	71	*CB0	139	DQ35	04	VSS	72	*CB4	140	DQ39
05	DQ0	73	*CB1	141	DQ40	06	DQ4	74	*CB5	142	DQ44
07	DQ1	75	VSS	143	VDD	08	DQ5	76	VSS	144	VDD
09	VDD	77	*DQS8	145	DQ41	10	VDD	78	*DM8	146	DQ45
11	DQS0	79	*CB2	147	DQS5	12	DM0	80	*CB6	148	DM5
13	DQ2	81	VDD	149	VSS	14	DQ6	82	VDD	150	VSS
15	VSS	83	*CB3	151	DQ42	16	VSS	84	*CB7	152	DQ46
17	DQ3	85	DU	153	DQ43	18	DQ7	86	DU	154	DQ47
19	DQ8	87	VSS	155	VDD	20	DQ12	88	VSS	156	VDD
21	VDD	89	*CK2	157	VDDD	22	VDD	90	VSS	158	/CK1
23	DQ9	91	*/CK2	159	VSS	24	DQ13	92	VDD	160	CK1
25	DQS1	93	VDD	161	VSS	26	DM1	94	VDD	162	VSS
27	VSS	95	*CKE1	163	DQ48	28	VSS	96	CKE0	164	DQ52
29	DQ10	97	*A13	165	DQ49	30	DQ14	98	DU	166	DQ53
31	DQ11	99	*A12	167	VDD	32	DQ15	100	A11	168	VDD
33	VDD	101	A9	169	DQS6	34	VDD	102	A8	170	DM6
35	CK0	103	VSS	171	DQ50	36	VDD	104	VSS	172	DQ54
37	/CK0	105	A7	173	VSS	38	VSS	106	A6	174	VSS
39	VSS	107	A5	175	DQ51	40	VSS	108	A4	176	DQ55
41	DQ16	109	A3	177	D56	42	DQ20	110	A2	178	DQ60
43	DQ17	111	A1	179	VDD	44	DQ21	112	A0	180	VDD
45	VDD	113	VDD	181	DQ57	46	VDD	114	VDD	182	DQ61
47	DQS2	115	A10	183	DQS7	48	DM2	116	BA1	184	DM7
49	DQ18	117	BA0	185	VSS	50	DQ22	118	/RAS	186	VSS
51	VSS	119	/WE	187	DQ58	52	VSS	120	/CAS	188	DQ62
53	DQ19	121	/CS0	189	DQ59	54	DQ23	122	*/CS1	190	DQ63
55	DQ24	123	DU	191	VDD	56	DQ28	124	DU	192	VDD
57	VDD	125	VSS	193	SDA	58	VDD	126	VSS	194	SA0
59	DQ25	127	DQ32	195	SCL	60	DQ29	128	DQ36	196	SA1
61	DQS3	129	DQ33	197	VDDSPD	62	DM3	130	DQ37	198	SA2
63	VSS	131	VDD	199	VDD	64	VSS	132	VDD	200	DU
65	DQ26	133	DQS4			66	DQ30	134	DM4		
67	DQ27	135	DQ34			68	DQ31	136	DQ38		

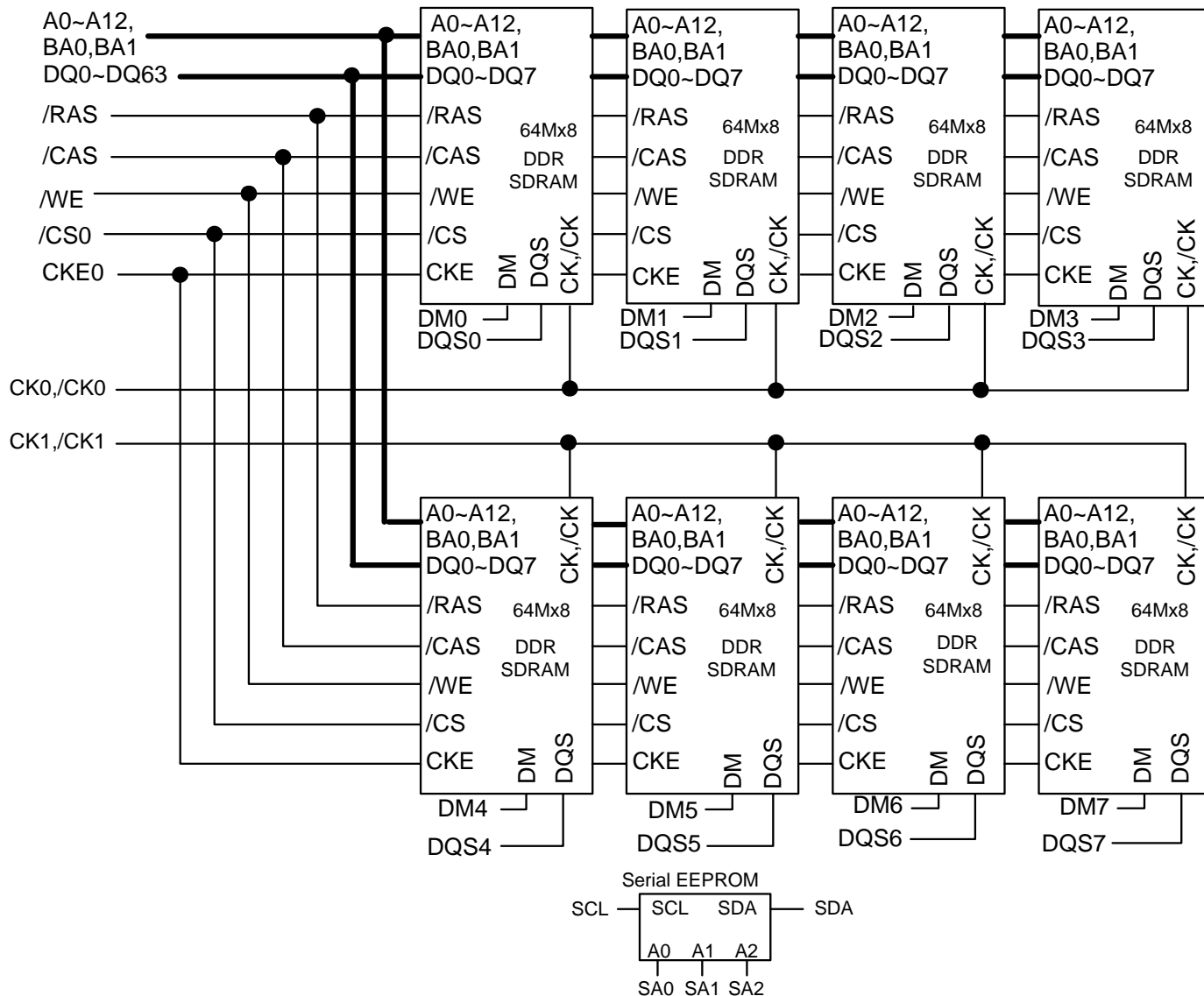
\* Please refer Block Diagram

# TS64MSD64V6J

200PIN DDR266 Unbuffered SO-DIMM

512MB With 64Mx8 CL2.5

## Block Diagram



This technical information is based on industry standard data and tests believed to be reliable. However, Transcend makes no warranties, either expressed or implied, as to its accuracy and assumes no liability in connection with the use of this product. Transcend reserves the right to make changes in specifications at any time without prior notice.

## ABSOLUTE MAXIMUM RATINGS

Parameter	Symbol	Value	Unit
Voltage on any pin relative to Vss	VIN, VOUT	-0.5 ~ 3.6	V
Voltage on VDD supply to Vss	VDD, VDDQ	-1.0 ~ 3.6	V
Storage temperature	TSTG	-55~+150	°C
Power dissipation	Pd	12	W
Short circuit current	Ios	50	mA

Note: Permanent device damage may occur if ABSOLUTE MAXIMUM RATINGS are exceeded. Functional operation should be restricted to recommended operating condition. Exposure to higher than recommended voltage for extended periods of time could affect device reliability.

## DC OPERATING CONDITIONS

Recommended operating conditions (Voltage referenced to Vss = 0V, TA = 0 to 70°C)

Parameter	Symbol	Min	Max	Unit	Note
Supply voltage	VDD	2.3	2.7	V	
I/O Supply voltage	VDDQ	2.3	2.7	V	
I/O Reference voltage	VREF	VDDQ/2-50mV	VDDQ/2+50mV	V	1
I/O Termination voltage	VTT	VREF-0.04	VREF+0.04	V	2
Input logic high voltage	VIH(DC)	VREF+0.15	VDDQ+0.3	V	4
Input logic low voltage	VIL(DC)	-0.3	VREF-0.15	V	4
Input Voltage Level, CK and /CK inputs	VIN(DC)	-0.3	VDDQ+0.3	V	
Input Differential Voltage, CK and /CK inputs	VID(DC)	0.3	VDDQ+0.6	V	3
Input crossing point voltage, CK and /CK inputs	VIX(DC)	1.15	1.35	V	5
Input leakage current	Ii	-2	2	uA	
Output leakage current	Ioz	-5	5	uA	
Output High Current (Normal strength driver) VOUT= VTT + 0.84V	IOH	-16.8		mA	
Output Low Current (Normal strength driver) VOUT= VTT - 0.84V	IOL	16.8		mA	
Output High Current(Half strength driver) VOUT= VTT + 0.45V	IOH	-9		mA	
Output High Current(Half strength driver) VOUT= VTT - 0.45V	IOL	9		mA	

Note:

- Includes  $\pm 25\text{mV}$  margin for DC offset on VREF, and a combined total of  $\pm 50\text{mV}$  margin for all AC noise and DC offset on VREF, bandwidth limited to 20MHz. The DRAM must accommodate DRAM current spikes on VREF and internal DRAM noise coupled. TO VREF, both of which may result in VREF noise. VREF should be de-coupled with an inductance of  $\leq 3\text{nH}$ .
- VTT is not applied directly to the device. VTT is a system supply for signal termination resistors, is expected to be set equal to VREF, and must track variations in the DC level of VREF
- VID is the magnitude of the difference between the input level on CK and the input level on /CK.
- These parameters should be tested at the pin on actual components and may be checked at either the pin or the pad in simulation. The AC and DC input specifications are relative to a VREF envelop that has been bandwidth limited to 200MHZ.
- The value of Vix is expected to equal  $0.5 \cdot VDDQ$  of the transmitting device and must track variations in the dc level of the same.

## DC CHARACTERISTICS

(Recommended operating condition unless otherwise noted, VDD=2.7V TA = 10°C)

Parameter	Symbol	Max.	Unit	Note
Operating current - One bank Active-Precharge; tRC=tRCmin; tCK= tCK min DQ, DM and DQS inputs changing twice per clock cycle; Address and control inputs changing once per clock cycle	IDD0	1,320	mA	
Operating current - One bank Active-Read-Precharge; Burst=2; tRC=tRC min; CL=2.5; tCK=tCK min; VIN=VREF fro DQ,DQS and DM	IDD1	1,520	mA	
Percharge power-down standby current; All banks idle; power -down mode; CKE = <VIL(max); tCK= tCK min VIN = VREF for DQ,DQS and DM	IDD2P	48	mA	
Precharge Floating standby current; CS# > =VIH(min);All banks idle; CKE > = VIH(min); tCK=133Mhz for DDR266 Address and other control inputs changing once per clock cycle; VIN = VREF for DQ,DQS and DM	IDD2F	400	mA	
Active power - down standby current ; one bank active; power-down mode; CKE<= VIL (max); tCK = tCK min; VIN = VREF for DQ,DQS and DM	IDD3P	400	mA	
Active standby current; CS# >= VIH(min); CKE>=VIH(min); one bank active; active - precharge; tRC=tRASmax; tCK = tCK min; DQ, DQS and DM inputs changing twice per clock cycle; address and other control inputs changing once per clock cycle	IDD3N	760	mA	
Operating current - burst read; Burst length = 2; reads; continguous burst; One bank active; address and control inputs changing once per clock cycle; CL=2.5 at tCK = tCK min ; 50% of data changing at every burst; lout = 0 mA	IDD4R	1,760	mA	
Operating current - burst write; Burst length = 2; writes; continuous burst; One bank active address and control inputs changing once per clock cycle; CL=2.5 at tCK = tCK min ; DQ, DM and DQS inputs changing twice per clock cycle, 50% of input data changing at every burst	IDD4W	2,000	mA	
Auto refresh current; tRC = tRFC(min)	IDD5	2,480	mA	
Self refresh current; CKE <= 0.2V;	IDD6	40	mA	
Operating current - Four bank operation ; Four bank interleaving with BL=4 -Refer to the following page for detailed test condition	IDD7	3,840	mA	

Note: 1. Module IDD was calculated on the basis of component IDD and can be differently measured according to DQ loading capacitor.

## AC OPERATING CONDITIONS

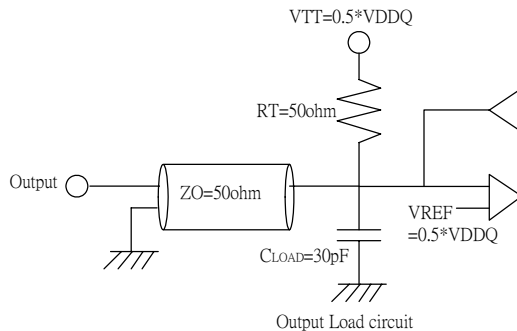
Parameter	Symbol	Min	Max	Unit	Note
Input High (Logic 1) Voltage, DQ, DQS and DM signals	VIH(AC)	VREF + 0.31		V	3
Input Low (Logic 0) Voltage, DQ, DQS and DM signals	VIL(AC)		VREF - 0.31	V	3
Input Differential Voltage, CK and /CK inputs	VID(AC)	0.7	VDDQ + 0.6	V	1
Input Crossing Point Voltage, CK and /CK inputs	VIX(AC)	0.5*VDDQ - 0.2	0.5*VDDQ + 0.2	V	2

Note:

1. VID is the magnitude of the difference between the input level on CK and the input on /CK.
2. The value of VIX is expected to equal 0.5\*V DDQ of the transmitting device and must track variations in the DC level of the same.
3. These parameters should be tested at the pin on actual components and may be checked at either the pin or the pad in simulation. The AC and DC input specifications are relative to a VREF envelope that has been bandwidth limited 20MHz.

## AC OPERATING TEST CONDITIONS (VDD=2.5, VDDQ=2.5, TA=0 to 70°C)

Parameter	Value	Unit	Note
Input reference voltage for Clock	0.5*VDDQ	V	
Input signal maximum peak swing	1.5	V	
Input Levels(VIH/VIL)	VREF+0.31/VREF-0.31	V	
Input timing measurement reference level	VREF	V	
Output timing measurement reference level	VTT	V	
Output load condition	See Load Circuit		



## Input/Output CAPACITANCE (VDD = 2.5V, VDDQ = 2.5V, TA = 25°C, f = 1MHz)

Parameter	Symbol	Min	Max	Unit
Input capacitance (A0~A12, BA0~BA1, /RAS, /CAS, /WE)	CIN1	36	44	pF
Input capacitance (CKE0)	CIN2	36	44	pF
Input capacitance (/CS0)	CIN3	36	44	pF
Input capacitance (CK0, CK1)	CIN4	28	32	pF
Input capacitance (DM0~DM7)	CIN5	8	9	pF
Data and DQS input/output capacitance (DQ0~DQ63)	COU1	8	9	pF

## AC Timing Parameters & Specifications

(These AC characteristics were tested on the Component)

Parameter	Symbol	Min	Max	Unit	Note
Row cycle time	tRC	65		ns	
Refresh row cycle time	tRFC	75		ns	
Row active time	tRAS	45	120K	ns	
/RAS to /CAS delay	tRCD	20		ns	
Row active to Row active delay	tRP	20		ns	
Row active to Row active delay	tRRD	15		ns	
Write recovery time	tWR	15		tCK	
Last data in to Read command	tCDLR	1		tCK	
Col. Address to Col. Address delay	tCCD	1		tCK	
Clock cycle time	tCK	7.5		ns	4
Clock high level width	tCH	0.45	0.55	tCK	
Clock low level width	tCL	0.45	0.55	tCK	
DQS-out access time from CK /CK	tDQSCK	-0.75	0.75	ns	
Output data access time from CK /CK	tAC	-0.75	0.75	ns	
Data strobe edge to output data edge	tDQSQ		0.5	ns	4
Read Preamble	tRPRE	0.9	1.1	tCK	
Read Postamble	tRPST	0.4	0.6	tCK	
CK to valid DQS-in	tDQSS	0.75	1.25	tCK	
DQS-in setup time	tWPRES	0		ns	2
DQS-in hold time	tWPREH	0.25		tCK	
DQS falling edge to CK rising-setup time	tDSS	0.2		tCK	
DQS falling edge from CK rising-hold time	tDSH	0.2		tCK	
DQS-in high level width	tDQSH	0.35		tCK	
DQS-in low level width	tDQSL	0.35		tCK	
DQS-in cycle time	tDSC	0.9	1.1	tCK	
Address and Control input setup time	tIS	0.9		ns	
Address and Control input hold time	tIH	0.9		ns	
Data-out high-impedance time from CK, /CK	tHZ	-0.75	0.75	ns	
Data-out low-impedance time from CK, /CK	tLZ	-0.75	0.75	ns	
Mode register set cycle time	tMRD	15		ns	
DQ & DM setup time to DQS	tDS	0.5		ns	



# TS64MSD64V6J

200PIN DDR266 Unbuffered SO-DIMM  
512MB With 64Mx8 CL2.5

DQ & DM hold time to DQS	tDH	0.5		ns	
DQ & DM input pulse width	tDIPW	1.75		ns	
Power down exit time	tPDEX	7.5		Ns	
Exit self refresh to bank active command	tXSA	75		ns	5
Exit self refresh to read command	tXSR	200		Cycle	
Refresh interval time	tREF	7.8		us	1
Clock half period	tHP	tCLmin or tCHmin		ns	
Data hold skew factor	tQHS		0.75	Ns	
DQS write postamble time	tWPST	0.4	0.6	TCK	3

- Note:
1. Maximum burst refresh of 8
  2. The specific requirement is that DQS be valid(High or Low) on or before this CK edge. The case shown (DQS going from High\_Z to logic Low) applies when no writes were previously in progress on the bus. If a previous write was in progress, DQS could be High at this time, depending on tDQSS.
  3. The Maximum limit for this parameter is not a device limit. The device will operate with a great value for this parameter, but system performance (bus turnaround) will degrade accordingly.
  4. For registered DIMMs, tCL and tCH are  $\geq 45\%$  of the period including both the half period jitter (tJIT(HP) ) of the PLL and the half period jitter due to crosstalk (tJIT(crosstalk)) on the DIMM.
  5. A write command can be applied with tRCD satisfied after this command.

### SIMPLIFIED TRUTH TABLE

(V=Valid, X=Don't Care, H=Logic High, L=Logic Low)

COMMAND		CKEn-1	CKEn	/CS	/RAS	/CAS	/WE	BA0,1	A10/AP	A0~A9,A11, A12	Note
Register	Extended Mode Register Set	H	X	L	L	L	L	OP CODE			1,2
Register	Mode Register Set	H	X	L	L	L	L	OP CODE			1,2
Refresh	Auto Refresh	H	H	L	L	L	H	X			3
			L					X			3
	Self Refresh	L	H	L	H	H	H	X			3
				H	X	X	X	X			3
Bank Active & Row Addr.		H	X	L	L	H	H	V	Row Address		
Read & Column Address	Auto Precharge Disable	H	X	L	H	L	H	V	L	Column Address (A0~A9)	4
	Auto Precharge Enable								H		4
Write & Column Address	Auto Precharge Disable	H	X	L	H	L	L	V	L	Column Address (A0~A9)	4
	Auto Precharge Enable								H		4, 6
Burst Stop		H	X	L	H	H	L	X			7
Precharge	Bank Selection	H	X	L	L	H	L	V	L	X	5
	All Banks							X	H		
Active Power Down	Entry	H	L	H	X	X	X	X			
				L	V	V	V				
Exit	Exit	L	H	X	X	X	X	X			
				L	V	V	V				
Precharge Power Down Mode	Entry	H	L	H	X	X	X	X			
				L	H	H	H				
	Exit	L	H	H	X	X	X	X			
				L	V	V	V				
DM		H	X					X			8
No Operation Command		H	X	H	X	X	X	X			9
				L	H	H	H				9

- Note:
- OP Code : Operand Code. A0 ~ A12 & BA0 ~ BA1 : Program keys. (@EMRS/MRS)
  - EMRS/ MRS can be issued only at all banks precharge state. A new command can be issued 2 clock cycles after EMRS or MRS.
  - Auto refresh functions are same as the CBR refresh of DRAM. The automatical precharge without row precharge command is meant by "Auto". Auto/self refresh can be issued only at all banks precharge state.
  - BA0 ~ BA1 : Bank select addresses. If both BA0 and BA1 are "Low" at read, write, row active and precharge, bank A is selected. If both BA0 is "High" and BA1 is "Low" at read, write, row active and precharge, bank B is selected. If both BA0 is "Low" and BA1 is "High" at read, write, row active and precharge, bank C is selected. If both BA0 and BA1 are "High" at read, write, row active and precharge, bank D is selected.
  - If A10/AP is "High" at row precharge, BA0 and BA1 are ignored and all banks are selected.
  - During burst write with auto precharge, new read/write command can not be issued. Another bank read/write command can be issued after the end of burst. New row active of the associated bank can be issued at tRP after the end of burst.
  - Burst stop command is valid at every burst length.
  - DM sampled at the rising and falling edges of the DQS and Data-in are masked at the both edges (Write DM latency is 0).
  - This combination is not defined for any function, which means "No Operation(NOP)" in DDR SDRAM.

#### Serial Presence Detect Specification

Serial Presence Detect			
Byte No.	Function Described	Standard Specification	Vendor Part
0	# of Bytes Written into Serial Memory	128bytes	80
1	Total # of Bytes of S.P.D Memory	256bytes	08
2	Fundamental Memory Type	DDR SDRAM	07
3	# of Row Addresses on this Assembly	13	0D
4	# of Column Addresses on this Assembly	11	0B
5	# of Module Rows on this Assembly	1 bank	01
6	Data Width of this Assembly	64bits	40
7	Data Width of this Assembly	0	00
8	VDDQ and Interface Standard of this Assembly	SSTL-2	04
9	DDR SDRAM Cycle Time at CAS Latency=2.5	7.5ns	75
10	DDR SDRAM Access Time from Clock at CL=2.5	±0.75ns	75
11	DIMM configuration type (non-parity, Parity, ECC)	NON-ECC	00
12	Refresh Rate Type	7.8us/Self Refresh	82
13	Primary DDR SDRAM Width	X8	08
14	Error Checking DDR SDRAM Width	-	00
15	Min Clock Delay for Back to Back Random Column Address	tCCD=1CLK	01
16	Burst Lengths Supported	2,4,8	0E
17	# of banks on each DDR SDRAM device	4 bank	04
18	CAS Latency supported	2, 2.5	0C
19	CS Latency	0 CLK	01
20	WE Latency	1 CLK	02
21	DDR SDRAM Module Attributes	Differential Clock Input	20
22	DDR SDRAM Device Attributes : General	+/-0.2V voltage tolerance	00
23	DDR SDRAM Cycle Time CL=2.0	10ns	A0
24	DDR SDRAM Access from Clock CL=2.0	±0.75ns	75
25	DDR SDRAM Cycle Time CL=1.5	-	00
26	DDR SDRAM Access from Clock CL=1.5	-	00
27	Minimum Row Precharge Time (tRP)	20ns	50
28	Minimum Row Active to Row Activate delay (tRRD)	15ns	3C
29	Minimum RAS to CAS Delay (tRCD)	20ns	50
30	Minimum active to Precharge time (tRAS)	45ns	2D
31	Module ROW density	512MB	80
32	Command/Address Input Setup Time	0.9ns	90
33	Command/Address Input Hold Time	0.9ns	90
34	Data Signal Input Setup Time	0.5ns	50
35	Data Signal Input Hold Time	0.5ns	50
36-61	Superset Information	-	00
62	SPD Data Revision Code	-	00
63	Checksum for Bytes 0-62	-	00
64-71	Manufacturers JEDEC ID	Transcend	7F, 4F

# TS64MSD64V6J

200PIN DDR266 Unbuffered SO-DIMM  
512MB With 64Mx8 CL2.5

72	Manufacturing Location	T	54					
73-90	Manufacturers Part Number	TS64MSD64V6J	54	53	36	34	4D	53
			44	36	34	56	36	4A
			20	20	20	20	20	20
91-92	Revision Code	-	-					
93-94	Manufacturing Date	By Manufacturer	Variable					
95-98	Assembly Serial Number	By Manufacturer	Variable					
99-127	Manufacturer Specific Data	-	-					
128~255	Unused Storage Locations	Undefined	-					