

BZ-1M

ULTIMATE究極 INTERACTIVE



ULTIMATE INTERACTIVE WXGA LCD PROJECTOR

The innovative BZ-1M integrates simple to use but powerful Hitachi software to deliver a complete interactive experience on any flat surface. With a rich but targeted feature set that meets the specific interactive needs of corporate users, the compact BZ-1M, like the other models in the Ultimate range, is easy to install, easy on the environment and designed to deliver outstanding performance in any setting.

Product Features

- Pen-based single touch interactive system with Hitachi software
- Rapid, precise response to user input
- WXGA resolution (1280 x 800)
- 80" (2m) image from only 53cm*
- 2500 ANSI lumens (Normal mode)
- 2000:1 contrast ratio
- Full connectivity including HDMI
- Perfect Fit – adjust all four corners and sides of the image individually to achieve a distortion free image
- Can be wall mounted or used to project directly onto a table top with the optional table top kit

Cost of ownership

- Extended Hybrid Filter life – up to 5000 hour cleaning cycle
- Extended lamp life – up to 5000 hours in Eco Mode
- Virtually maintenance free
- Easy setup and installation
- Wall mount included in the box

Advanced Network Features

- Full connectivity including 1 x RJ-45
- Configure and control projector via network with a web browser
- Projector management via SNMP
- Content via LAN
- AMX Device Discovery
- Messenger
- PJ Link™
- Network Bridge

Environment

- The extended Hybrid Filter life means reduced electronic waste and reduced maintenance visits, resulting in an overall reduction in carbon footprint

Hitachi have formulated an "Environmental Vision" to contribute towards building a sustainable society through business and product development.

Our goal is to develop life-enhancing technology that will contribute to and realise a truly sustainable society for current and future generations.

Hitachi software requirements

- CPU: Intel Pentium 4 1.8GHz or faster
- RAM: minimum 1GB
- Operating system (OS): Windows XP 32bit/Windows Vista 32bit/Windows 7 32/64bit (the latest service pack must be applied) (Tablet PC Edition and Server Edition are not supported)
- Software required: Internet Explorer 6.0/7.0/8.0 (for viewing Online Help and using Internet search functions) PowerPoint 2002/2003/2007/2010 (for viewing PowerPoint documents) Microsoft DirectX 9.0c/Windows Media Player 9 or above (for using movie features) Adobe Flash Player 10 (for using Flash object)
- Others: DVD drive, video card with hardware overlay feature (for using movie features)

*from centre of mirror to screen



www.hitachidigitalmedia.com

HITACHI

Inspire the Next

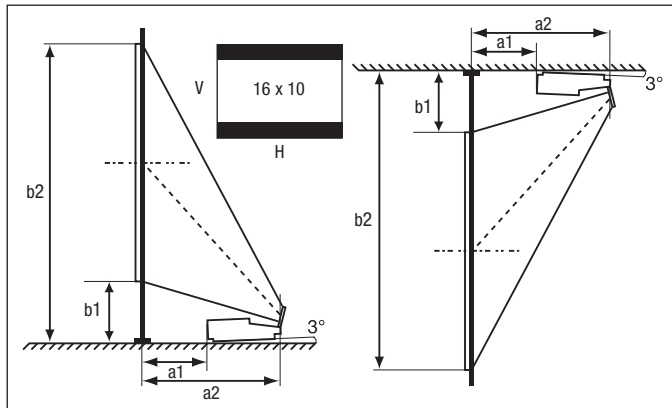
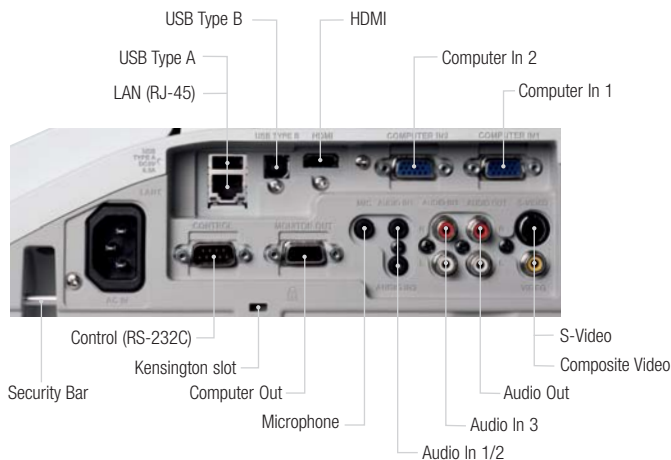
BZ-1M Technical Specifications



Wall mount

Interactive pen

Table mount (optional)



Throw distance (from the top of the lens)

Screen size (diagonal)	H x V		a1	a2	b1	b2
	(m)	(m)				
60" (1.5m)	1.3	0.8	0.120	0.426	0.295	1.102
70" (1.8m)	1.5	0.9	0.188	0.494	0.332	1.274
80" (2.0m)	1.7	1.1	0.256	0.562	0.369	1.446
90" (2.3m)	1.9	1.2	0.324	0.631	0.407	1.618
100" (2.5m)	2.2	1.3	0.392	0.699	0.444	1.791
60" (1.5m)	The TT-251 table top stand is capable of producing a 60° downward projection.					

Hitachi software special requirements

For Webcam playback and capturing feature

- DV (Digital video, DV cameras, D-VHS)
- Capture devices which support DirectShow (with WDM drivers)

For Conference host feature

- CPU: Intel Core 2 Duo 2.0GHz or faster
- Free hard drive space: 2GB or more
- RAM: 2GB or more
- Others: TCP/IP 54Mbps or above

OPTICAL

Interactive sensor (IR and ultrasonic waves system)	Single touch, an interactive pen is required
LCD Panel	0.59" (1.5cm) P-Si TFT x3
Resolution	WXGA (1280 x 800)
Light output (brightness)	2500 ANSI Lumens (Normal Mode) 1700 ANSI Lumens (Eco Mode)
Colour light output (colour brightness)	2500 ANSI Lumens (Normal Mode) 1700 ANSI Lumens (Eco Mode)
Contrast Ratio	2000:1 (Presentation Mode)
Lens	Free shaped lens and motorised free shaped mirror
Lamp Wattage	210W UHB
Lamp Life	3000 hours (Normal mode)/5000 hours (Eco Mode)*
Distance to Width Ratio (-1)	0.3:1 (fixed)
Diagonal Display Size	60~100" (152~254cm)
Number of Colour	8 Bit/colour, 16.7M colours
Keystone	Fixed, 5.2:-1 upward shift

COMPATIBILITY

Computer Compatibility	IBM Compatible VGA, SVGA, XGA, WXGA, WXGA+, SXGA, WSXGA+, UXGA, MAC 16"
Video Compatibility	NTSC/PAL/SECAM/PAL-M/PAL-N/NTSC4.43 SDTV: 525i(480i), 525p(480p), 625i(576i) HDTV: 750p (720p@60Hz), 1125i(1080i@50/60Hz), 1125p(1080p@50/60Hz)
Plug & Play	DCC2B

FEATURES

Speakers	10W Mono
Basic functions	Freeze, Magnifying, Blank, Auto adjustment, Search
Picture adjustments	Equalizing Gamma Correction, 2-3 Pull down for NTSC, Progressive Scan, Noise Reduction, Perfect Fit
Digital keystone	Manual Vertical Keystone correction, Manual Horizontal Keystone correction
Advanced features	MyScreen, My Memory, My Button, Blackboard/Whiteboard mode, Daytime Mode, Input source naming (English), Resolution setting, Template, Saving mode, AudioPass through, My Text, Lens door lock
Outward	Easy Lamp replace from Top, Rear intake air filter
Power on & off	Quick ON, Direct ON, Direct Off, Auto Eco Mode
Security systems	PIN-Lock, MyScreen PIN-Lock, Keypad Lock, Kensington slot, Transition Detector, Security bar
Network	Configure and control projector via web browser, receive alerts via e-mail, projector management via SNMP, Scheduling, My Image, displaying text data transferred via the network, Command Control via network, AMX Device Discovery, Messenger, PJ Link™, Network Bridge, content via LAN
OSD Languages	English, French, German, Spanish, Italian, Norwegian, Dutch, Japanese, Portuguese, Simplified Chinese, Traditional Chinese, Korean, Swedish, Russian, Finnish, Polish, Turkish, Arabic, Persian, Czech, Danish, Hungarian, Romanian, Slovenian, Croatian, Greek, Lithuanian, Estonian, Latvian, Thai, Portuguese (Brazil)

CONNECTIONS

Digital Input	1 x HDMI (HDCP Compliant)
Computer Input	2 x 15-pin Mini D-sub
Computer Output	1 x 15-pin Mini D-sub
Video Input	1 x RCA Jack (for composite) 1 x S-Video Jack
Audio Input	2 x Component D-sub (shared with analogue RGB) 2 x Stereo Mini Jack
Audio Output	1 x pair RCA (L/R) 1 x Microphone Jack
Control	1 x 9-pin D-sub for RS232 control
USB	1 x USB type A for PC-less presentation 1 x USB type B for mouse control
Wired network	1 x RJ-45

POWER

Power Supply	AC100-120V/220-240V, auto switching
Power Consumption	300W/<0.3W (AC 220-240V)

PHYSICAL

Dimensions (W x H x D)	345 x 102 x 303mm (excluding feet and extrusions when mirror is closed)
Weight	4.1Kg
Noise Level	34dB (Normal)/28dB (Eco)
Air Filter	Hybrid (up to 5000 hours)

MISCELLANEOUS

Lamp indicator light, Power light, Ceiling mount image, Rear projection image, Serial number label on side

CERTIFICATION

*UL60950-1/C-UL, FCC Part 15 Class A, *CE, AS/NZS CISPR22 Class A

ACCESSORIES SUPPLIED

Remote control with batteries (HL02772), RGB cable, power cord, cable cover, security label, user manual (detail & concise), wall mount (HAS-K250), interactive pen with batteries, USB cable (5m), Hitachi software and manual, Application DVD (software)

OPTIONAL ACCESSORIES

Replacement lamp	DT01251
Table top stand	TT-251

WARRANTY

Projector warranty	3 Years
Lamp warranty	Please consult your local Hitachi agent for the latest offer