



PU-1109KIT

**v1.4 HDMI over Single CAT5e/6 HDBaseT 5Play, 3 x LAN,
PoE Receiver TXRX Set (up to 100m)**

OPERATIONS MANUAL

DISCLAIMERS

The information in this manual has been carefully checked and is believed to be accurate. CYP (UK) Ltd assumes no responsibility for any infringements of patents or other rights of third parties which may result from its use.

CYP (UK) Ltd assumes no responsibility for any inaccuracies that may be contained in this document. CYP (UK) Ltd also makes no commitment to update or to keep current the information contained in this document.

CYP (UK) Ltd reserves the right to make improvements to this document and/or product at any time and without notice.

COPYRIGHT NOTICE

No part of this document may be reproduced, transmitted, transcribed, stored in a retrieval system, or any of its part translated into any language or computer file, in any form or by any means—electronic, mechanical, magnetic, optical, chemical, manual, or otherwise—without express written permission and consent from CYP (UK) Ltd.

© Copyright 2011 by CYP (UK) Ltd.

All Rights Reserved.

Version 1.1 August 2011

TRADEMARK ACKNOWLEDGMENTS

All products or service names mentioned in this document may be trademarks of the companies with which they are associated.

SAFETY PRECAUTIONS

Please read all instructions before attempting to unpack, install or operate this equipment and before connecting the power supply.

Please keep the following in mind as you unpack and install this equipment:

- Always follow basic safety precautions to reduce the risk of fire, electrical shock and injury to persons.
- To prevent fire or shock hazard, do not expose the unit to rain, moisture or install this product near water.
- Never spill liquid of any kind on or into this product.
- Never push an object of any kind into this product through any openings or empty slots in the unit, as you may damage parts inside the unit.
- Do not attach the power supply cabling to building surfaces.
- Use only the supplied power supply unit (PSU). Do not use the PSU if it is damaged.
- Do not allow anything to rest on the power cabling or allow any weight to be placed upon it or any person walk on it.
- To protect the unit from overheating, do not block any vents or openings in the unit housing that provide ventilation and allow for sufficient space for air to circulate around the unit.

REVISION HISTORY

VERSION NO.	DATE	SUMMARY OF CHANGE
RDV1	11/11/2011	Preliminary Release
RDV2	13/12/2011	Power Supply Change

CONTENTS

1. Introduction	6
2. Applications	6
3. Package Contents	6
4. System Requirements	6
5. Features.....	6
6. Operation Controls and Functions	7
6.1 Front Panel	7
6.2 Rear Panel.....	8
7. Connection Diagram	9
8. Specifications.....	10
9. Acronyms.....	10

1. INTRODUCTION

The PU-1109-KIT features 5Play HDBaseT technology. This will allow the user to distribute uncompressed HDMI, 2-Way IR, 2-Way RS-232, PoE (Power Over Ethernet) and 3 individual LAN connections over a Single CAT5e/6 cable, to lengths of up to 100m.

2. APPLICATIONS

- ///** Home entertainment media sharing and control
- ///** Lecture room display and control
- ///** Showroom display and control
- ///** Meeting room presentation and control
- ///** Classroom display and control
- ///** Any Smart AV Installation system

3. PACKAGE CONTENTS

- ///** HDMI to CAT5e/CAT6 with LAN/PoE/IR Transmitter
- ///** CAT5e/CAT6 to HDMI with LAN/PoE/IR Receiver
- ///** 1× IR Blaster
- ///** 1× IR Receiver
- ///** 24V DC Power Adaptor
- ///** Operation Manual

4. SYSTEM REQUIREMENTS

- ///** Input HDMI source equipment such as DVD/Blu-ray player and output display with HDMI input.
- ///** RS-232 controlled device
- ///** Ethernet equipped device

5. FEATURES

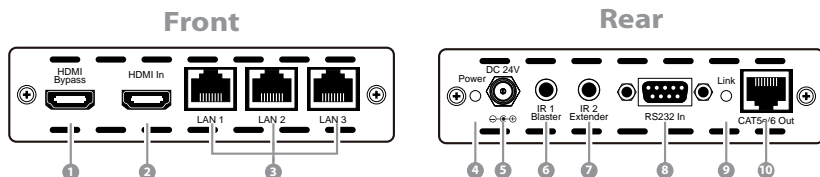
- /// HDMI 1.4 compliant with 3D formats and 4k 2k resolution support
- /// Supports CEC bypass function
- /// Simultaneous transmission of uncompressed video and audio (1080p@60Hz/-Deep Color) over a single CAT5e/CAT6 type cable for up to 100 m (300 ft.).
- /// Audio support up to 7.1CH Dolby TrueHD and DTS-HD
- /// Connect and share up to 6 Ethernet connections at speeds up to 100 Mbps
- /// Various controls over HDMI: CEC, RS-232 and IR
- /// 5Play™ convergence: HD video, audio & Control ports (IR and RS-232)/LAN/PoE
- /// Installation friendly
- /// Single power supply powers both units, receiver unit is powered via the CAT5e/6 connection to the transmitter.

Note:

1. *Tested with CAT-6E/23AWG cables, using cables of another specification may result in a different operating distance.*
2. *The PoE function is designed for powering compatible receiver units only—do not use with non-PoE receivers or receivers of another brand.*

6. OPERATION CONTROLS AND FUNCTIONS

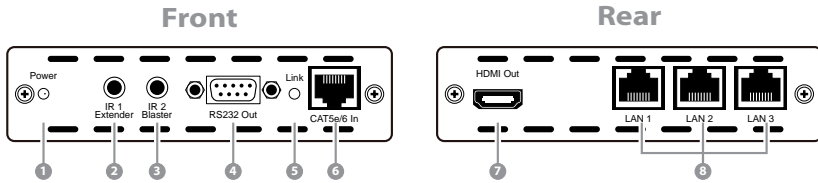
6.1 Transmitter



- 1 HDMI Bypass:** Connect to a HDMI TV/monitor for instant display of the HDMI input source signal.

Note: When the HDMI bypass is connected, no signals will be transmitted to the receiver side. Therefore, unplug this connection after confirming that the correct image is displayed
- 2 HDMI In:** Connect to the HDMI equipped source equipment such as DVD or Blu-ray player.
- 3 LAN 1/2/3:** The LAN connections can be used to connect and share up to 6 ethernet connections (3 at the receiver end, 3 at the transmitter end), including computers, routers and media servers.
- 4 Power LED:** The red LED will illuminate when the 24V DC Adaptor is connected to the AC outlet.
- 5 DC 24V:** This slot is where you plug the 24V DC power supply into the unit and connect the adaptor to an AC outlet.
- 6 IR 1 Blaster:** Connect the IR blaster cables included in the package for IR signal transmission. The related IR receiver port is IR1 Extender.
- 7 IR 2 Extender :** Connect the IR receiver cables included in the package for IR signal reception.The related IR transmitter port is IR2 Blaster.
- 8 RS-232 In:** This slot is to connect with PC/laptop /Control Device with D-Sub 9-pin male cable for sending RS-232 commands.
- 9 Link LED:** This yellow LED will illuminate when the both CAT5e/6 input and output signal is connected.
- 10 CAT5e/6 Out:** Connect the transmitter and receiver via a single CAT5e/6 type cable for all data transmission.

6.2 Receiver

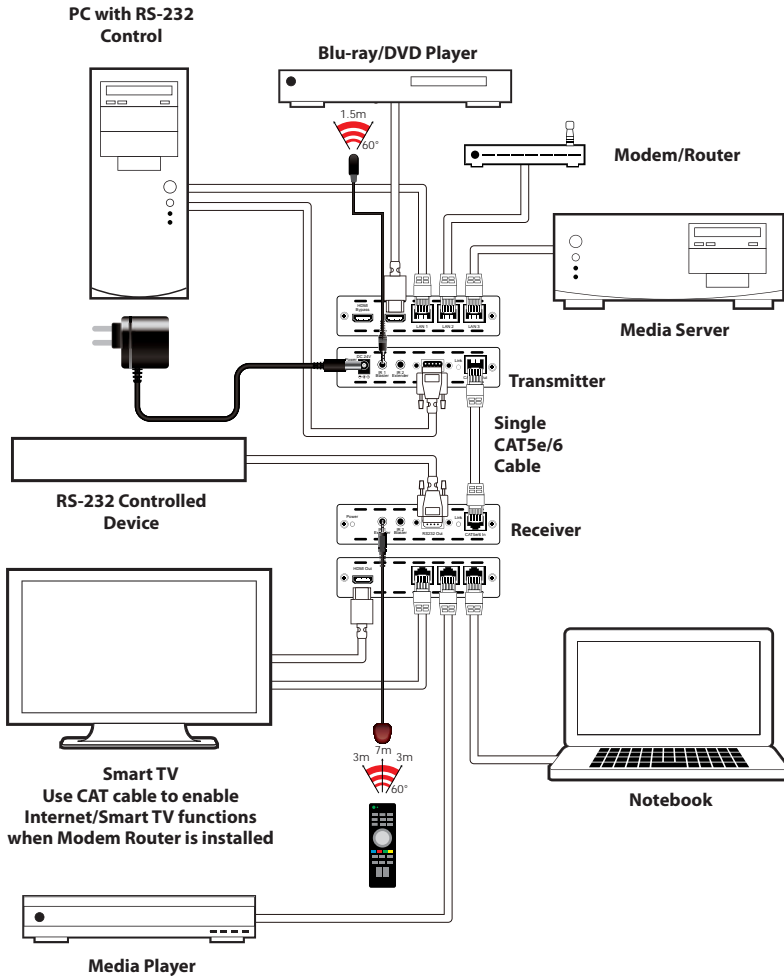


- 1 **Power LED:** The red LED will illuminate when the 24V DC Adaptor is connected to the AC outlet.
- 2 **IR 1 Extender:** This slot is to connect with the IR receiver cables included in the package for IR signal reception. The related IR transmitter port is IR1 Blaster.
- 3 **IR 2 Blaster:** Connect the IR blaster cables included in the package for IR signal transmission. The related IR receiver port is IR2 Extender.
- 4 **RS-232 Out:** Connect to a device that can be controlled (via D-Sub 9-pin female cable) by RS-232 commands.
- 5 **Link LED:** This yellow LED will illuminate when the both CAT5e/6 input and output signal is connected.
- 6 **CAT5e/6 IN:** Connect the transmitter and receiver via a single CAT5e/6 type cable for all data transmission.
- 7 **HDMI Out:** Connect to a HDMI equipped TV or monitor to display the HDMI input source signal.
- 8 **LAN 1/2/3:** The LAN connections can be used to connect and share up to 6 ethernet connections (3 at the receiver end, 3 at the transmitter end), including computers, routers and media servers.

6.3 D-Sub 9 Pin Definitions

Pin	Define TX/RX
1	N/C
2	TxD / RxD
3	RxD / TxD
4	N/C
5	GND
6	N/C
7	N/C
8	N/C
9	N/C

7. CONNECTION DIAGRAM



Note: The LAN1, LAN2 and LAN3 connections can be used either on its own as a small network or to extend a larger network. In this example a media player, notebook computer and Smart TV in a remote zone can be connected via a single CAT cable back to a modem/router and media server in another zone with all devices connected to the ports being able to connect to each other.

8. SPECIFICATIONS

Video Bandwidth	300 MHz/9 Gbps
Ethernet Speed	100 Mbps
Transmitter	
Input	1×HDMI , 3×Ethernet, 1×RS-232, 1×IR Extender
Output	1×CAT5e/6, 1×HDMI Bypass, 1×IR Blaster
Receiver	
Input	1×CAT5e/6, 1×IR Extender
Output	1×HDMI, 1×RS-232, 3×Ethernet, 1×IR Blaster
ESD Protection	Human Body Model: ±8kV (air-gap discharge) ±4kV (contact discharge)
IR Frequency Rate	30~50 kHz
Power Supply	24 V/1.25 A DC (US/EU Standards, CE/FCC/ UL certified)
Dimensions	125 mm (W)×127 mm (D)×30 mm (H)/Each
Weight	Tx: 360 g, Rx: 382 g
Chassis Material	Aluminum
Silkscreen Color	Black
Power Consumption	Tx: 6 W: Rx: 8 W
Operating Temperature	0 °C~40 °C/32 °F~104 °F
Storage Temperature	-20 °C~60 °C/-4 °F~140 °F
Relative Humidity	20~90% RH (non-condensing)



CYP (UK) Ltd., Unit 7, Shepperton Business Park, Govett Avenue, Shepperton,
Middlesex TW17 8BA. Tel: +44 (0) 20 3137 9180 | Fax: +44 (0) 20 3137 6279
Email: sales@cypeurope.com | www.cypeurope.com