



DCS-6815 - 18X
DCS-6817 - 30X
DCS-6818 - 36X

HIGH SPEED DOME NETWORK CAMERA

PRECISION MONITORING

Pan, tilt, zoom apparatus provides a 360 degree range of motion with proportional speed adjustment

WIDE DYNAMIC RANGE

Wide Dynamic Range technology neutralizes imperfect lighting, providing clear images with the right amount of contrast even when a subject is backlit

SUPERIOR IMAGE QUALITY

Sony EX-View CCD technology offers crisp color images in daylight, and clear grayscale images in low-light conditions

POWERFUL DIGITAL SURVEILLANCE

The D-Link DCS-6815/6817/6818 is a high-performance high speed dome network camera, ideal for business IP surveillance applications. The DCS-6815/6817/6818 employs Sony 1/4" EX-View CCD technology to deliver exceptional picture quality. High-performance SoC (system-on-chip) technology provides real-time video compression in MPEG-4 and Motion JPEG formats.

PROPORTIONAL PAN, TILT, AND ZOOM SPEEDS

Adjusting the camera is painless since the pan and tilt speed is proportional to the optical zoom ratio of the camera. When the camera zooms in, the panning speed is automatically slowed to improve camera tracking and controllability. PTZ presets allow the camera to monitor specified areas along predefined paths.

WEATHERPROOF FOR OUTDOOR USE

The DCS-6815/6817/6818 camera apparatus is housed in a weatherproof enclosure (IP66 standard). A built-in heater and fan allows camera to operate in extreme environments at temperatures ranging from -40°C to 50°C.

REMOVABLE IR CUT FILTER FOR CONTINUOUS MONITORING

The IR Cut Filter can be manually applied, or set to automatically adjust based on lighting conditions. This feature enables the camera to capture crisp color images during the daytime, and grayscale images in low-light.

ROBUST MANAGEMENT SOFTWARE

D-ViewCam is a software program that allows you to view up to 32 cameras on a single computer screen from a central location. Motion detection and digital input devices trigger automated e-mail alerts that can instantly inform administrators of unusual activities.

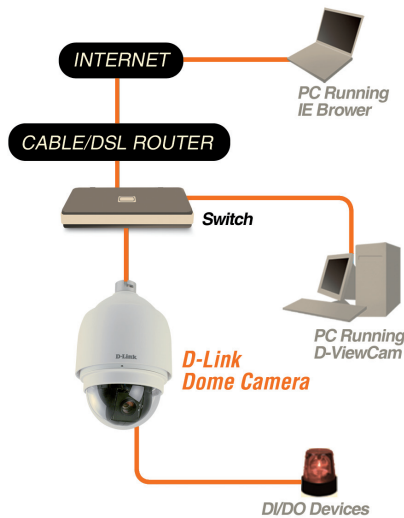
WIDE DYNAMIC RANGE (WDR) APPLICATIONS

The Wide Dynamic Range (WDR) function of a camera provides clear images even under backlit conditions where the intensity of illumination can vary significantly. The DCS-6815/6817/6818 is recommended for extreme high-contrast environments. For example, when placed indoors, the DCS-6815/6817/6818 will adjust itself to the intense sunlight that may be streaming in through a nearby window. This makes it an ideal solution for security applications.

WHAT THIS PRODUCT DOES

The DCS-6815/6817/6818 High Speed Dome Network Camera is a professional IP surveillance solution which connects to your network to provide high-quality live video over the Internet. The camera apparatus supports precise high-speed pan/tilt/zoom functionality for extensive monitoring, and object tracking. The inconspicuous dome enclosure can be mounted in a variety of positions based on your needs.

YOUR NETWORK SETUP



CAMERA SPECIFICATIONS

- 1/4" EX-View CCD Sensor
- Optical zoom
 - DCS-6815: 18X
Focal length 3.4~61.2 mm
Angle of view (horizontal): 3.6° ~ 60.8°
 - DCS-6817: 30X
Focal length 3.4~102 mm
Angle of view (horizontal): 2.2° ~ 60.8°
 - DCS-6818: 36X
Focal length 3.4~122.4 mm
Angle of view (horizontal): 1.8° ~ 60.8°
- 12 Digital Zoom
- Day / Night: ICR
- 0.1 Lux (Color); 0.01 Lux (B/W)
- 540 TVL
- Electronic shutter speed 1/1 ~ 1/10K sec
- Auto Gain Control(AGC)
- Manual / Auto Focus(AF)
- Manual / Auto Exposure(AE)
- Manual / Auto White Balance(AWB)
- Backlight Compensation(BLC)
- Wide Dynamic Range (WDR)

VIDEO CODEC SUPPORT

- JPEG for still image
- MPEG4/MJPEG dual format compression

VIDEO RESOLUTION

- NTSC Support:
- Up to 30 fps at 176 x 120
 - Up to 30 fps at 352 x 240
 - Up to 30 fps at 720 x 480
- PAL Support:
- Up to 25 fps at 176 x 144
 - Up to 25 fps at 352 x 288
 - Up to 25 fps at 720 x 576

VIDEO FEATURES

- Adjustable image size and quality
- Time stamp and text overlays
- Configurable motion detection windows

VIDEO BIT RATE

- Up to 3 Mbps

NETWORK PROTOCOL SUPPORT

- IPv4, ARP, TCP/ IP, UDP, ICMP, DHCP Client, NTP Client, DNS Client, DDNS Client, SMTP Client, FTP Client, HTTP Server, PPPoE, UPnP

BUILT-IN NETWORK INTERFACES

- 10/100BASE-TX Ethernet port

LAN

- IEEE 802.3 compliance
- IEEE 802.3u compliance
- Full-Duplex operation
- 802.3x Flow control support for full-duplex mode

TECHNICAL SPECIFICATIONS

IO PORT

- 8 Alarm inputs
- 1 Alarm outputs

DOME OPERATION

- 360° pan capability
- -10° ~ 190° Tilt travel
- 0.225° Pan / Tilt preset accuracy
- 5° ~ 400° Pan / Tilt preset speed
- 4 Cruise presets
- 4 Auto pan presets
- 8 Sequence presets
- 16 Privacy masks
- Auto-flip
- Built-in heater and fan
- IP66 standard
- Vandal-proof

SURVEILLANCE SOFTWARE FUNCTIONS

- Remote management/control of up to 32 cameras
- Viewing of up to 32 cameras on one screen
- Management functions provided in web interface
- Scheduled motion triggered, or manual recording

REMOTE MANAGEMENT

- Configuration accessible via web browser
- Take snapshots/video clips and save via web browser

SYSTEM REQUIREMENTS

- Operating System: Microsoft Windows 2000, XP, Vista
- Browser: Internet Explorer 6.0 or above

WEIGHT

- 2.6 kg (5.9 lbs)

POWER INPUT

- AC 24 V

POWER CONSUMPTION

- Max 65 W (with heater)

OPERATING TEMPERATURE

- -40° to 50° C (-40° to 122° F)

STORAGE TEMPERATURE

- -20° to 70° C (-4° to 158° F)

OPERATING HUMIDITY

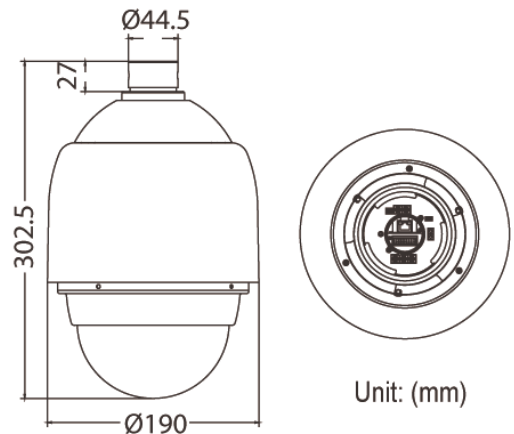
- 20% to 80% non-condensing

CERTIFICATIONS

- FCC
- CE
- RoHS

MOUNTING ACCESSORIES (NOT INCLUDED WITH CAMERA)

- DCS-80-5 / DCS-80-6
 - Dimensions: 187 x 147 x 76 mm (7.36 x 5.78 x 3 inches)
 - Mounting Area: 187 x 147 (7.36 x 7.16 inches)
 - Weight: 2 kg (4.4 lbs)
- DCS-32-1
 - Height: 500 mm (19.7 inches)
 - Diameter: 50 mm (2 inches)
 - Weight: 1.8 kg (4 lbs)
- DCS-32-2
 - Height: 250 mm (9.8 inches)
 - Diameter: 50 mm (2 inches)
 - Weight: 1 kg (2.2 lbs)
- DCS-32-3
 - Dimension: 348 X 104 X 138.6 mm (13.7 x 4.1 x 5.46 inches)
 - Diameter: 45 mm (1.8 inches)
 - Weight: 1.5 kg (3.3 lbs)
- DCS-32-4
 - Dimension: 204 x 124 x 135.2 mm (8 x 4.8 x 5.3 inches)
 - Diameter: 44.5 mm (1.8 inches)
 - Weight: 1.2 kg (2.6 lbs)



HIGH QUALITY VIDEO AND AUDIO

- MJPEG and MPEG4 dual-codec
- 30 fps (NTSC) / 25 fps (PAL)
- Adjustable video quality

POWERFUL VIDEO MANAGEMENT

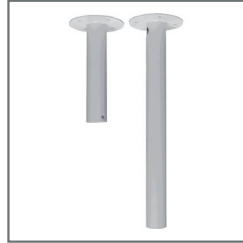
- Instant local video recording
- Intuitive web-based GUI
- Pre/post buffer for video recording
- D-Link DDNS support
- Upload snapshots via e-mail
- Upload video clips via FTP

ADVANCED ALARM HANDLING

- Motion detection with configurable detection areas
- FTP and e-mail event handler

OPTIONAL ACCESSORIES*

Straight Tube



DCS-32-1: Long
DCS-32-2: Short

Standard Pendant



DCS-32-3

Mini Pendant



DCS-32-4

Outdoor Power Box



DCS-80-5: INPUT: 100 ~ 115VAC +/- 10 %
DCS-80-6: INPUT: 220 ~ 230VAC +/- 10 %

- AC 24V linear power adapter
- IP66 case

*not included with camera



D-Link Corporation
No. 289 Xinhua 3rd Road, Neihu, Taipei 114, Taiwan
Specifications are subject to change without notice.
D-Link is a registered trademark of D-Link Corporation and its overseas subsidiaries.
All other trademarks belong to their respective owners.
©2010 D-Link Corporation. All rights reserved.
Release 02 (July 2010)