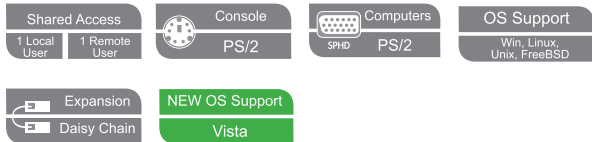


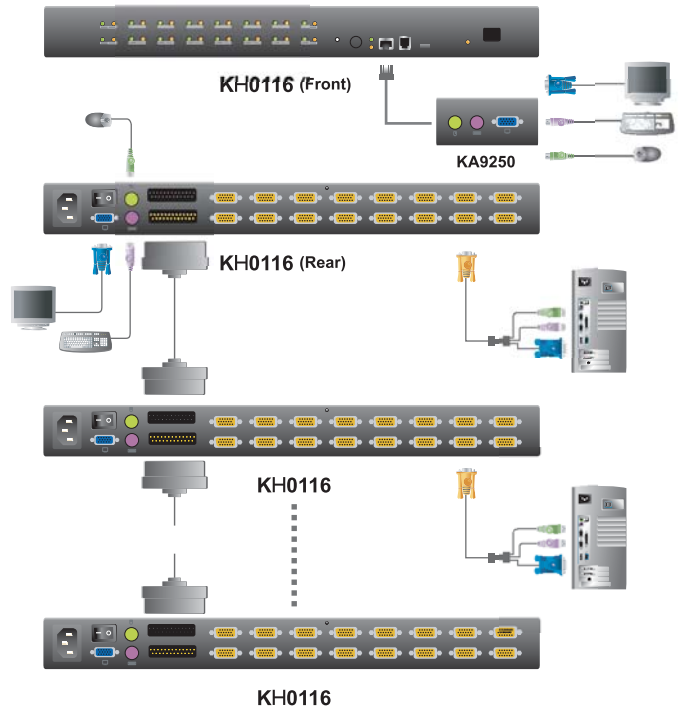
## 16-Port High-Density KVM Switch



### Features

- A single PS/2 console controls up to 16 computers
- Remote Console Operation – control your system from the remote PS/2 keyboard, mouse, and monitor consoles
- Cat 5 (or higher) cable to connect the KH0116 and remote units (KA9250)\*
- Dedicated chain ports - daisy chain up to 31 additional units - control up to 512 computers from a single console
- No software required - convenient computer selection via Hotkeys and intuitive On Screen Display (OSD) menus
- No need for manual DIP switch setting – auto-sensing of station positions for daisy chained installations
- LED indicates station's position
- Auto Scan Mode enables continuous monitoring of user-selected computers
- Hot Pluggable - add or remove computers without having to power down the switch
- Two level password security - only authorized users view and control the computers - up to four Users plus an Administrator - separate profiles for each
- Port names automatically reconfigured when station sequence is changed
- Superior video quality - resolutions of up to 2048 x 1536 - each port supports DDC2B
- Supports 64-bit, 128-bit, and 256-bit WEP encryption

### Diagram



### Specifications

Function		KH0116	
Computer	Direct	16	
Connections	Max.	512 (via Daisy Chain)	
Port Selection		OSD, Hotkey	
Connectors	Console Ports	Keyboard	1 x 6-pin Mini-DIN Female (Purple)
		Video	1 x HDB-15 Female (Blue)
		Mouse	1 x 6-pin Mini-DIN Female (Green)
	KVM Ports		16 x SPHD-15 Female (Yellow)
		Daisy Chain	In
	Ports	Out	1 x DB-25 Male (Black)
	F/W Upgrade		1 x RJ-11 Female (Black)
	Rem. Console		1 x RJ-45 Female (Black)
Power		1 x 3-prong AC Socket	
Switches	Reset	1 x Semi-recessed Pushbutton	
	Power	1 x Rocker	
	F/W Upgrade	1 x Slide	
	Rem. Console	1 x Locking Pushbutton	
LEDs	On Line	16 (Green)	
	Selected	16 (Orange)	
	Power	1 (Blue)	
	Station ID	2 x 7-segmet (Orange)	
Emulation	Keyboard/ Mouse	PS/2	
Video		2048 x 1536; DDC2B	
Scan Interval		1-255 Seconds	
I/P Rating		100-240 VAC; 50/60Hz; 1A	
Power Consumption		8W (Max)	
Environment	Operating Temp.	0- 50°C	
	Storage Temp.	-20- 60°C	
	Humidity	0-80% RH, Non-condensing	
Physical Properties	Housing	Metal	
	Weight	3.56 kg	
	Dimensions (L x W x H)	43.70 x 21.00 x 4.40 cm (19"/1U)	

\* The specifications and pictures are subject to change without notice.