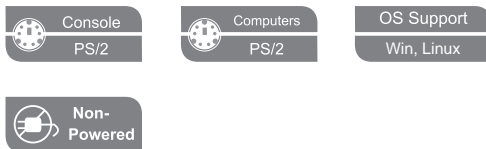


CS62 / CS62S

2-Port PS/2 KVM Switch

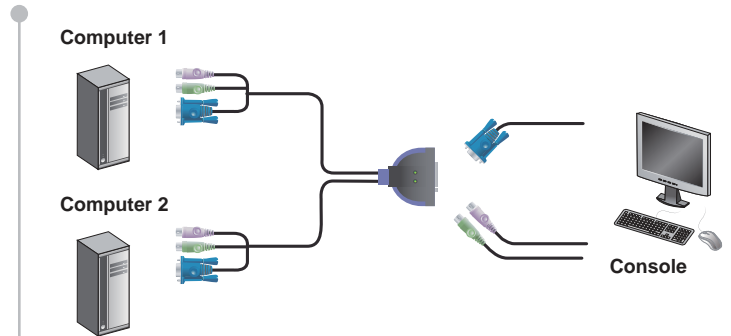
- The CS62/CS62S Switch is a control unit that allows access to two computer systems from a single console (keyboard, monitor, and mouse). The CS62/CS62S improves on previous models with a 50% smaller desktop footprint plus attached custom KVM cables for hassle-free installation and a neat and tidy workspace.

Setup is fast and easy; plugging cables into their appropriate ports is all that is entailed. There is no software to configure, no installation routines, and no incompatibility problems.



Features

- One PS/2 console controls two PS/2 computers
- Compact design, built in 1.2m cables(CS62),0.9m Cables(CS62S)
- All-in-one design
- Superior video quality- up to 2048 x 1536; DDC2B
- Auto Scan function to monitor computer operation
- Non-powered



Specification

Function		CS62	CS62S
Computer Connections		2	
Port Selection		Hotkey	
Connectors	Console Ports	Keyboard	1 x 6-pin Mini-DIN Female (Purple)
		Video	1 x HDB-15 Female (Blue)
		Mouse	1 x 6-pin Mini-DIN Female (Green)
	KVM Ports	Keyboard	2 x 6-pin Mini-DIN Male (Purple)
Video		2 x HDB-15 Male (Blue)	
Mouse		2 x 6-pin Mini-DIN Male (Green)	
LEDs	Selected	2 (Green)	
Cable Length	Computers	1.2m	0.9m
Emulation		Keyboard/Mouse	
Video		2048 x 1536; DDC2B	
Scan Interval		3, 5, 10, 20 Seconds	
Environment	Operating Temp.	0-50°C	
	Storage Temp.	-20-60°C	
	Humidity	0-80% RH, Non-condensing	
Physical Properties	Housing	Plastic	
	Weight	0.33 kg	0.33 kg
	Dimensions (L x W x H)	7.30 x 6.24 x 2.25 cm	7.30 x 6.24 x 2.25 cm

* The specifications and pictures are subject to change without notice.

