

ALTUSCN™ KN2108/KN2116

8/16-Port KVM Over the NET™ (Cat 5 KVM Switch with 1 Local 2 Remote User Access)

The KN2108/KN2116 KVM switch series offers a practical and affordable management solution for data centers housing a large number of servers. These switches are ideal for network administrators who are responsible for mission critical operations and require 24/7 server room access.

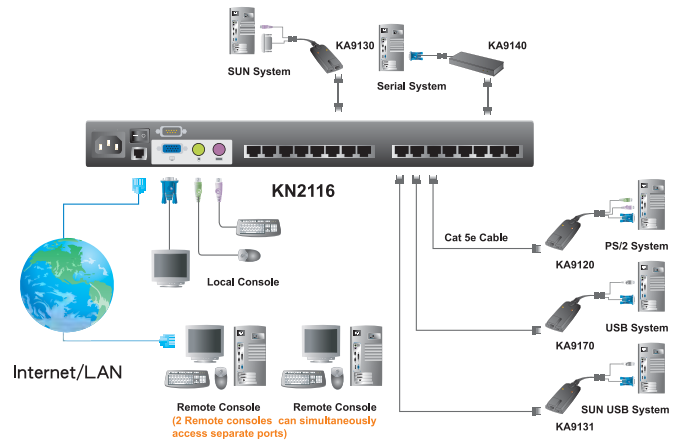
The KN2108 and KN2116 allow 3 administrators- one logged in at a local console; the other two logged in remotely from any IP connected web browser-and up to 32 users to securely monitor, manage, troubleshoot or run applications from up to 8 and 16 connected devices respectively



KVM Adapter Cables:

Connect to systems with PS/2 ports	KA9120
Connect to systems with USB ports	KA9170
Connect to Sun Legacy systems (with 13W3 port)	KA9130
Connect to Sun USB systems	KA9131
Connect to serial based devices	KA9140

Diagram



Simultaneous Access 1 Local User, 2 Remote IP Users	Console PS/2	Computers PS/2, USB, Sun, Serial	OS Support Win, Mac, Linux, Unix, Sun, FreeBSD	Expansion Cascade	IP Ready TCP/IP	Remote UI Browser, Java Client	PON Available
---	------------------------	--	--	-----------------------------	---------------------------	--	----------------------

Features

- 8 (KN2108) or 16 (KN2116) port remote access KVM switch – monitor and control up to 8 or 16 computers from a single KVM (Keyboard, Video, Mouse) console
- Remotely access computers via LAN, WAN, or the Internet; control your installation when and where you want
- Supports 3 bus sessions – 1 Local and 2 Remote administrators can simultaneously access separate ports
- Internet browser access; Windows client and Java client provided; Java client works with most operating systems
- Graphical OSD and graphical toolbars for convenient, user friendly operation
- Supports all major server platforms and VT100 based serial devices
- Supports multiplatform server environments including PS/2, USB, Sun, and Serial
- RJ-45 connectors allow a full 16 port implementation – Cat 5e cable reduces cable bulk
- Cascadable up to 2 levels* – provides up to 64/128 computers
- Extends the distance between computers and switch – up to 40 m
- Up to 64 user accounts – up to 32 concurrent logins
- Panel Array Mode – view all 8 or 16 ports at the same time
- Message board feature allows logged in users to communicate with each other and allows a user to take exclusive control of the KVM functions
- Windows based Log Server
- Remote power control for attached Power Over the NET™ devices
- Three level security: multiadministrator; multiuser; multiviewer
- Advanced security features include password protection and advanced encryption technologies – 1024 bit RSA; 56 bit DES; 256 bit AES; and 128 bit SSL
- RADIUS server support
- Flash upgradeable firmware over the network connection
- Ports can be set to Exclusive, Occupy and Share
- Network Interfaces: TCP/IP, HTTP, HTTPS, UDP, RADIUS, DHCP, SSL, ARP, DNS, 10Base-T/100Base-TX, auto sense, Ping.
- Detachable front panel for easy access to front and rear of unit
- High video resolution: up to 1280 x 1024 @ 60Hz

* Compatible KVM Switches: KH98, CS9134, CS9138, CS88A

Specifications

Function		KN2108	KN2116
Computer Connections		8	16
Console	Local	1	
	Remote	2	
Port Selection		OSD, Hotkey, Pushbutton	
Connectors	Console Ports	Keyboard	1 x 6-pin Mini-DIN Female (Purple)
		Video	1 x HDB-15 Female (Blue)
		Mouse	1 x 6-pin Mini-DIN Female (Green)
	KVM Ports	8 x RJ-45 Female (Black)	16 x RJ-45 Female (Black)
	Power	1 x 3-prong AC Socket	
Switches	LAN	1 x RJ-45 Female (Black)	
	PON	1 x DB-9 Male (Black)	
	Reset	1 x Semi-recessed Pushbutton	
	Power	1 x Rocker	
LEDs	Port Selection	2 x Pushbutton	
	On Line	8 (Green)	16 (Green)
	Selected	8 (Orange)	16 (Orange)
Emulation	Power	1 (Blue)	
	Link	1 (Green)	
	10 / 100 Mbps	1 (Orange/Green)	
Video	Keyboard/Mouse	PS/2; USB(PC, Mac, Sun); Serial	
	Video	1280 x 1024 @60Hz	
Scan Interval	1-255 Seconds		
I/P Rating	100-240 VAC; 50/60Hz; 1A		
Power Consumption	120V/12 W ; 230V/ 12W		
Environment	Operating Temp.	0- 40°C	
	Storage Temp.	-20- 60°C	
	Humidity	0-80% RH, Non-condensing	
Physical Properties	Housing	Metal	
	Weight	3.65 kg	3.70 kg
Dimensions	Dimensions (L x W x H)	43.84 x 28.40 x 4.40 cm (19"/1U)	

* The specifications and pictures are subject to change without notice.