

## 8-Port Power Over the NET™



■ Multi-function PON Input Port - Supports daisy chaining, TCP/IP accessible module connections, or a local administrator console.



■ Circuit Breaker For overcurrent protection and recovery

Expansion  
Daisy Chain

Remote UI  
Browser, Java Client

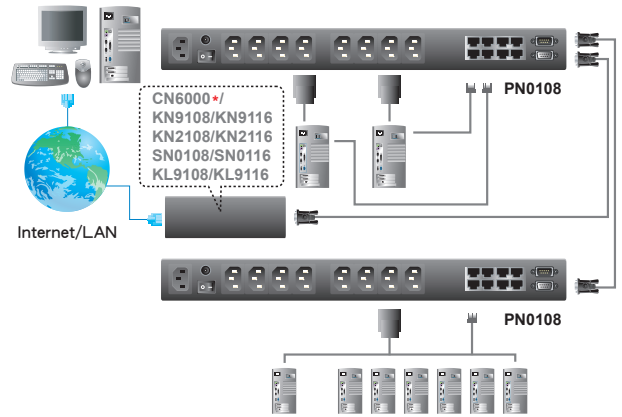
NEW OS Support  
Vista

### Features

- Remote power on / off / reboot control for eight outlets via TCP/IP and a built in RS-232 PON (Power Over the NET™) port
- Local power on / off / reboot control via the PN0108's PON port to the computer's RS-232 port
- Daisy chain up to 15 additional stations to control up to 128 outlets
- Manual switching between Local and Remote access for each port via front panel push button switches
- Individual control of each port - users can set the power on sequence and delay time for each port to allow equipment to be turned on in the proper order
- Easy setup and operation via a GUI interface
- Provides three configuration/management methods: Browser; Telnet; or Console Terminal
- Safe shutdown and rebooting for Windows systems\*
- Overcurrent protection and recovery for each AC port (110 V model only); total port overcurrent protection (both models) - remote users can monitor the outlet status via the GUI interface
- Separate circuits for the unit's power and the power to the devices – the power control status menu is still accessible even when an overcurrent condition trips the devices' circuit breaker
- On/Off scheduling - allows everything from a one-time start/shutdown, to daily, weekly, etc. starts/shutdowns at user-specified times
- Port grouping - perform the same action on a specified group of ports
- LEDs for easy status monitoring
- Two level (Administrator and User) security
- Configuration can be reset
- Firmware upgradeable - daisy chained stations receive the upgrade via the daisy chain bus

\* Safe shutdown and rebooting is supported if the Power Monitor utility has been installed

### Diagram



Up to 15 additional PN0108 can be daisy chained

\* The CN6000 from ATEN is an ultra-compact, Over IP solution for remote access to computers and KVM installations. Please refer to [www.aten.com](http://www.aten.com) for more details.

### Specifications

Function		PN0108
Power Inlet		1 x IEC 60320/C14 Male
Power Outlets		8 x IEC 60320/C13 Female
Connectors	PON In	1 x DB-9 Female (Black)
	PON Out	1 x DB-9 Male (Black)
	Safe Shutdown	8 x 6-pin Safe Shutdown Jacks Female (Black)
Switches	Reset	1 x Semi-recessed Pushbutton
	Power	1 x Rocker
	F/W Upgrade	1 x Slide
	Outlet On/Off	8 x Pushbutton
LEDs	Outlet Power	8 (Orange)
	Remote Access	8 (Green)
	Station ID	2 x 7-segment (Orange)
I/P Rating (Total input)		100 - 120V; 50/60Hz, 12A 220 - 240V; 50/60Hz, 10A
O/P Rating	Per Port	100 - 120V; 50/60Hz, 9A (Max.) 220 - 240V; 50/60Hz, 9A (Max.)
	Total	100 - 120V; 50/60Hz, 11A (Max.) 220 - 240V; 50/60Hz, 9A (Max.)
Power Consumption	No Load	120V/15W; 230V/15W
	Max Load	120V/1440W; 230V/2300W
Environment	Operating Temp.	0- 40 °C
	Storage Temp.	-20- 60 °C
	Humidity	0-80% RH, Non-condensing
Physical Properties	Housing	Metal
	Weight	3.70 kg
	Dimensions (L x W x H)	43.24 x 20.98 x 4.40 cm (19"/1U)

\* The specifications and pictures are subject to change without notice.