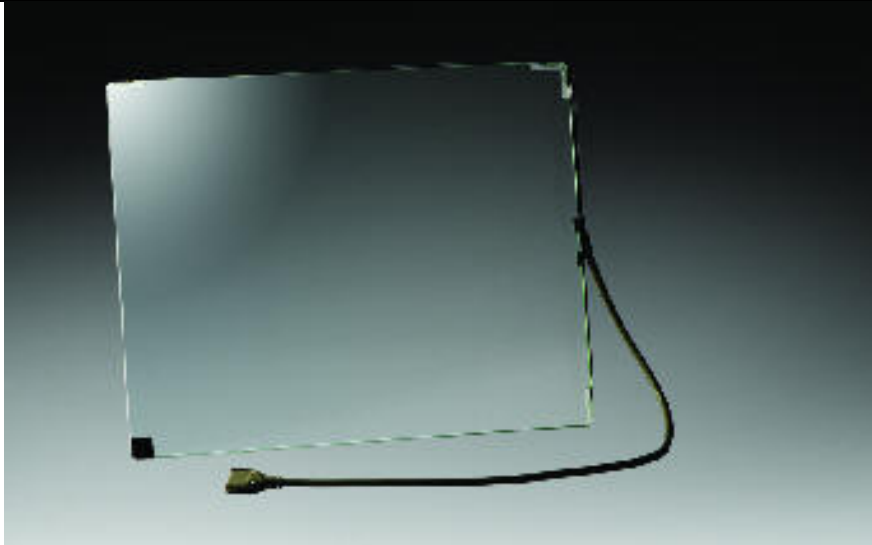


SCTL3B19R-100901 (With ST6001SU controller)

Touch System
Specifications
V1.0



Physical Parameter

Touch screen Dimensions(mm) (Typical)	External Dimensions	408×334
	Display Area	384×309
	Active Area	380×305
	Thickness	3
	Ratio(Length Vs Width)	4: 3
Controller Dimensions(mm)	85(L)×62(W)×12(H)	
Material	Pure glass	
Light Transmission	≥90%	
Surface Hardness	Mohs' hardness rating of 7	

Electrical Parameter

Supply Voltage and Current

- +12VDC, normal (+11V to +13VDC)
- 95mA, typical at +12VDC, Average power consumption is 1.2w , typical
- Supply must be capable of sourcing 200mA, minimum.
- Total noise and ripple requirement must be less than 50 mV (p-p) for frequencies above 1 MHz.

Interface

- EIA 232E (Serial RS-232),DCE configuration. 8 Data Bits, 1 Stop Bit, No Parity, Full Duplex.
Baud rate:9600
- USB1.1

Touch Resolution

- 4096×4096

Conversion Time

- Approximately 10.4 ms per coordinate set (including transmitting time)

Touch Activation Force

- Touch force less than 80g(adjust allowed)

Environment Parameter

- Operating Temperature
screen:-20℃~+50℃, controller: 0℃~+65℃
Storage Temperature
screen:-40℃~+70℃, controller: -20℃~+85℃
- Humidity
90% RH at 40℃, noncondensing

- Operating Altitude
3000m

Reliability

- MTBF is greater than 300,000 hours per MIL-HDBK-217-F2 using the parts stress calculation method for ground benign environment with an ambient temperature of 25°C.

ESD

- Per EN 61000-4-2: Contact discharge 4kV, air discharge 8KV.

Flammability

- The printed circuit board substrate is rated with 94V0.

Agency Approval

- UL
- Systems incorporating GT touchscreens, controllers, and cables have been approved for CE marking. Where appropriate, Touchmonitors are marked CE compliant, and are typically Class B.
- Systems incorporating GT touchscreens, controllers, and cables have been approved to FCC Class A compliance. Touchmonitors typically are FCC Class B verified

ROHS Declaration

- The Touch system including Controller, Touchscreen and Cable is ROHS compliant.

CONTROLLER

- Now the TouchScreen controllers of GeneralTouch company is ST6001SU.

Physical Characteristics

Construction

- Multi-layer surface-mount design with internal ground plane for EMI suppression.

Dimensions

- Total Width: 62mm
Total Length: 85 mm
Total height: 12mm (Including connectors)

Appendix :
Fig. 1:SCTL3B19R-100901

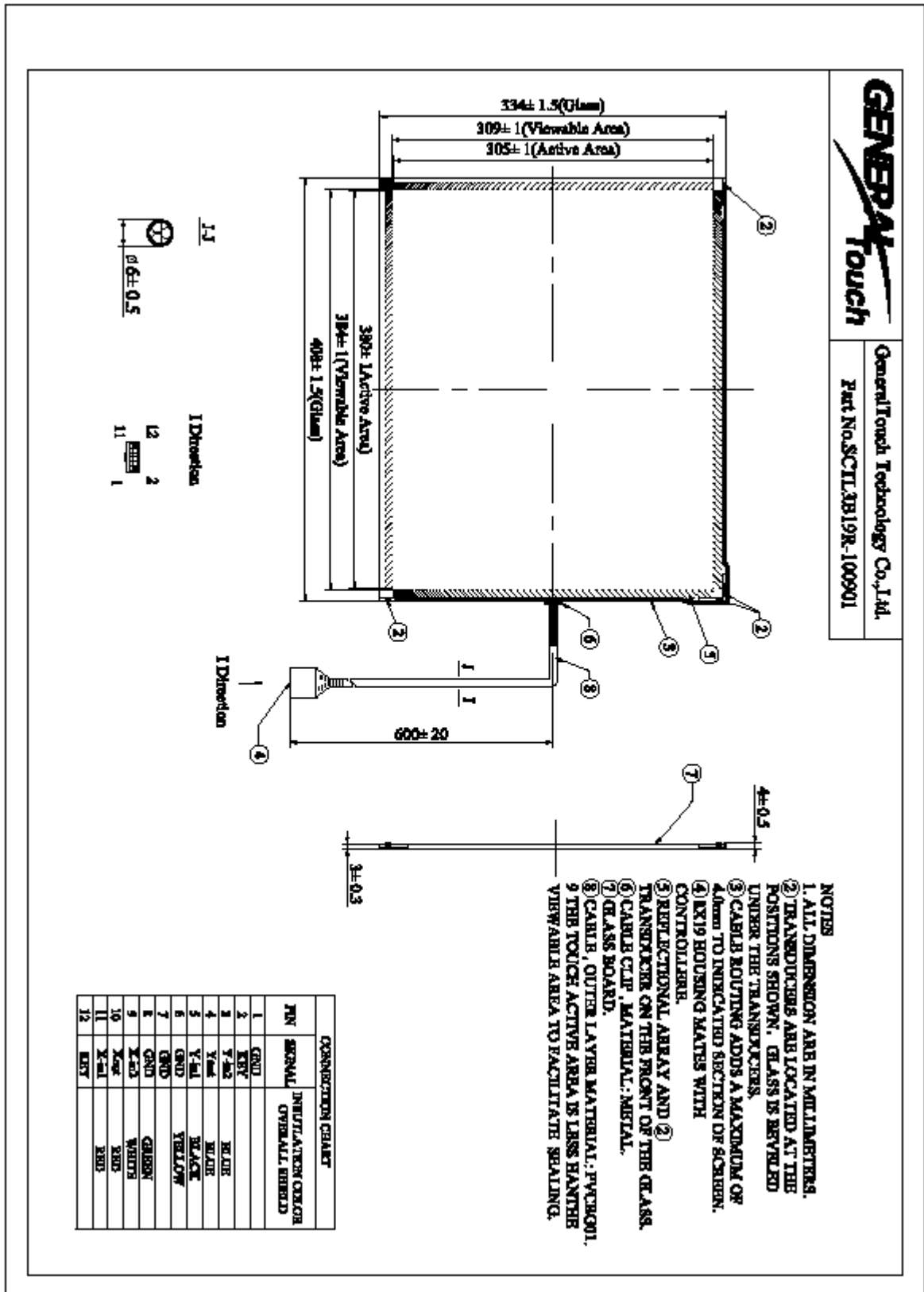
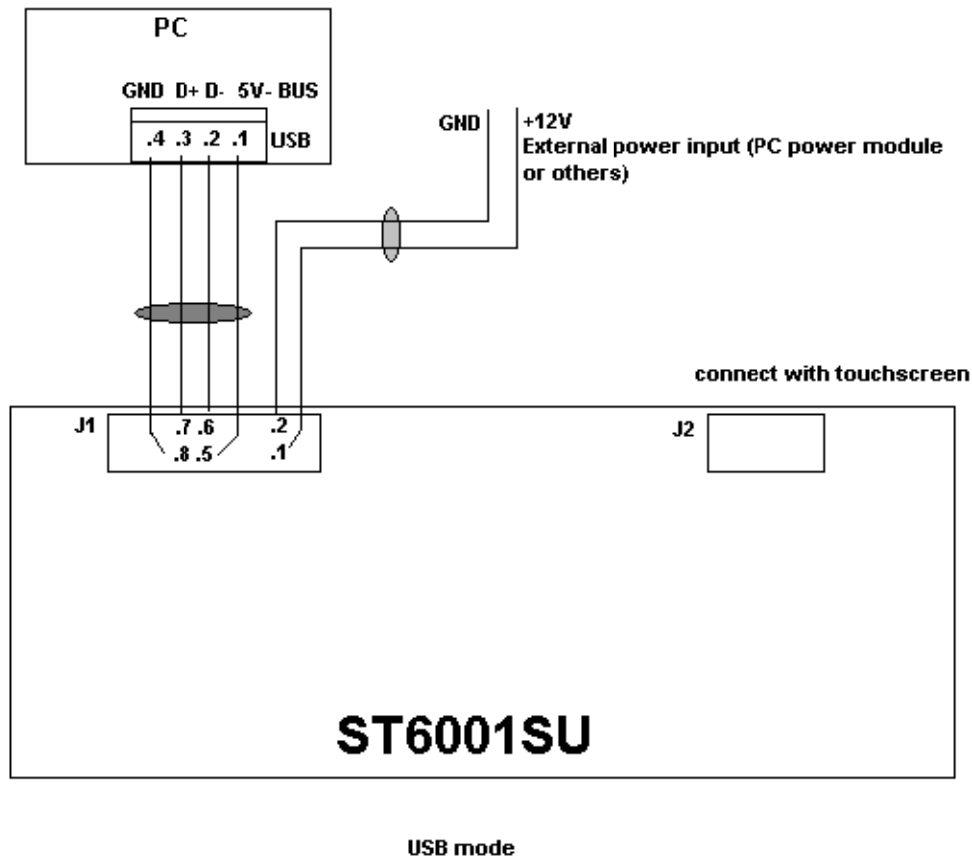
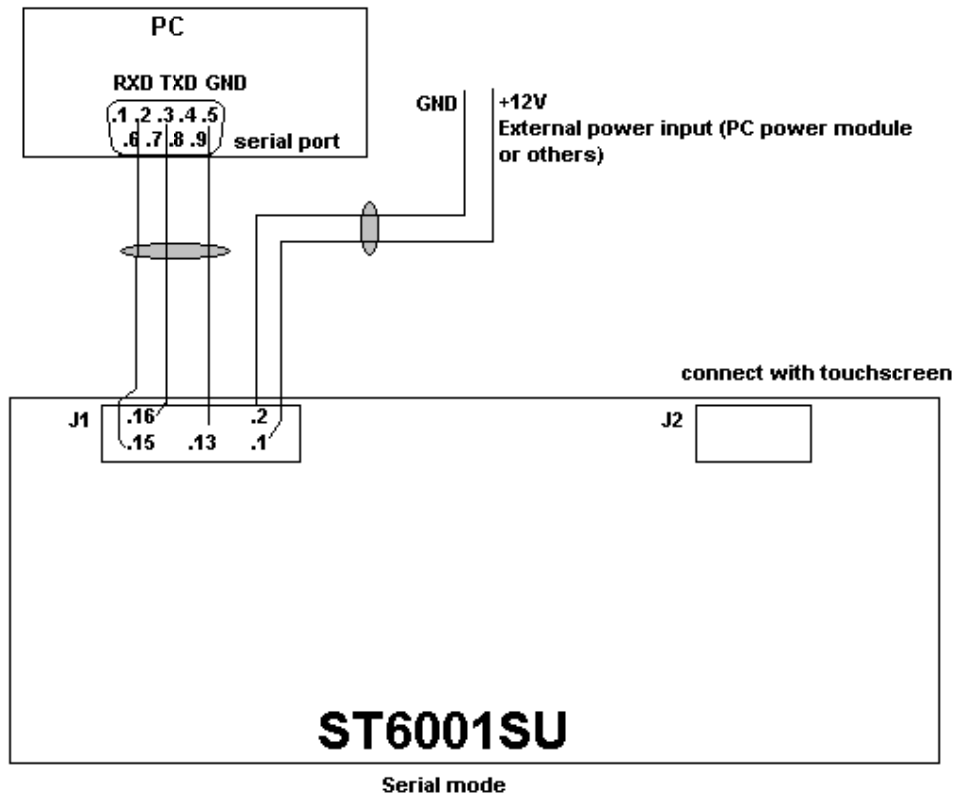


Fig. 2: Communication configuration



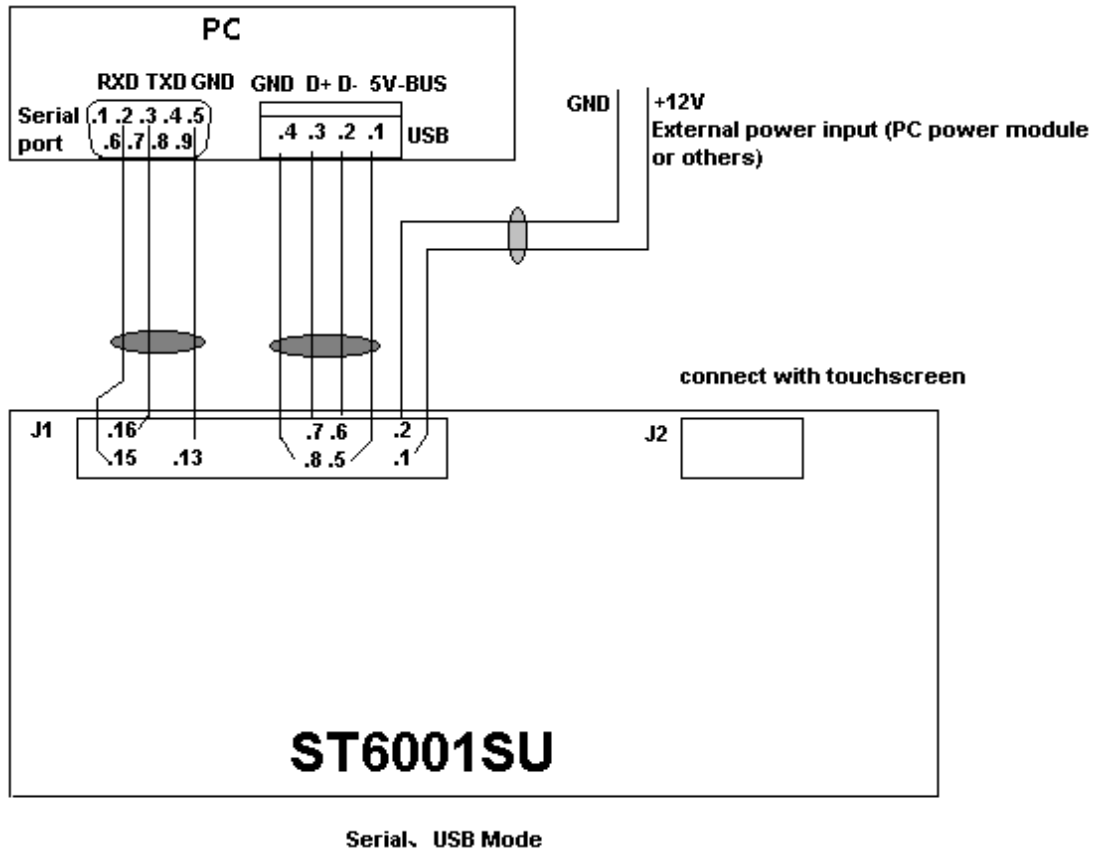
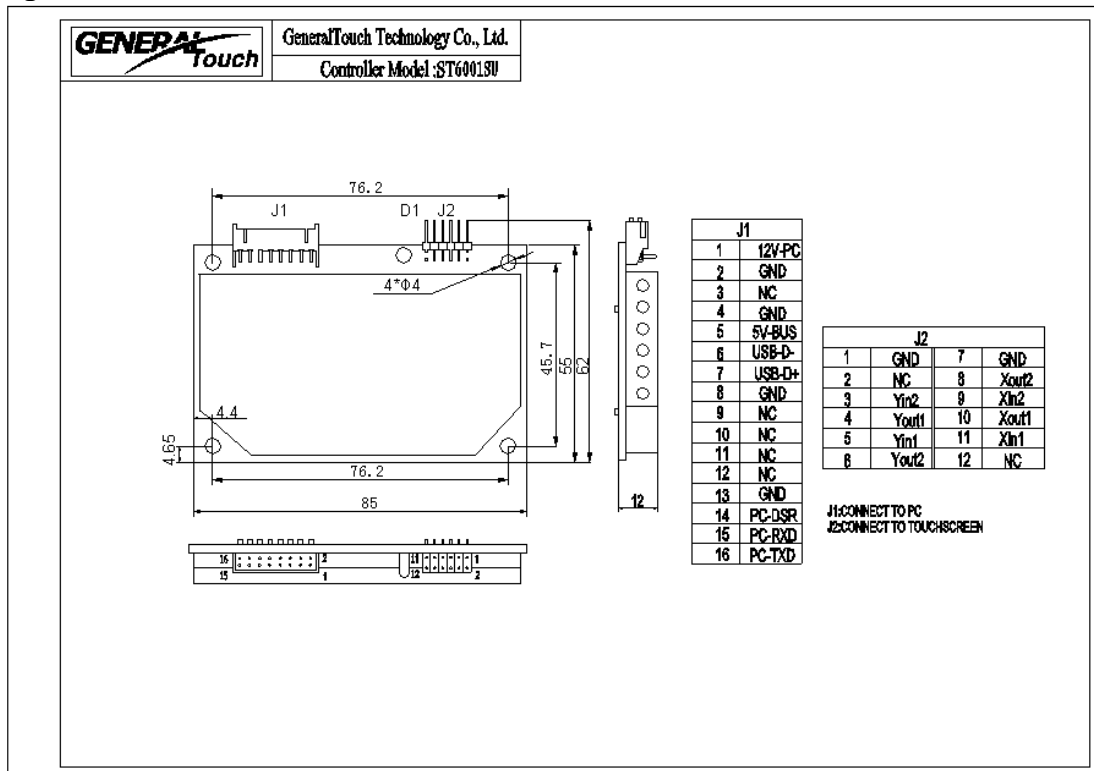


Fig. 3: Controller external dimensions



Operation platform

Windows98/ME

Windows 2000/XP

You can get these drivers download from our website:

www.generaltouch.com