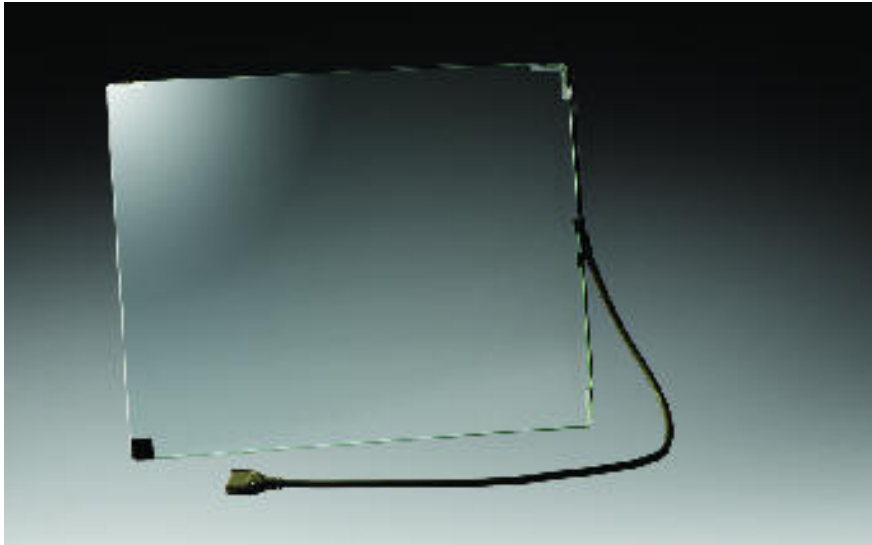


## SCTL4V42BR (With ST6201SU controller)

Touch System  
Specifications  
V1.0



### Physical Parameter

Touch screen Dimensions(mm)	External Dimensions	985 × 585
	Display Area	944 × 544
	Active Area	933 × 530
	Thickness	4
	Ratio(Length Vs Width)	16:9
Controller Dimensions(mm)	85(L) × 67(W) × 12(H)	
Material	Pure glass	
Light Transmission	≥90%	
Surface Hardness	Mohs' hardness rating of 7	

### Electrical Parameter

#### Supply Voltage and Current

- +12VDC, normal (+11V to +13VDC)
- 150mA, typical at +12VDC, Average power consumption is 1.8w , typical
- Supply must be capable of sourcing 250mA, minimum.
- Total noise and ripple requirement must be less than 50 mV (p-p) for frequencies above 1 MHz.

#### Interface

- EIA 232E (Serial RS-232), DCE configuration. 8 Data Bits, 1 Stop Bit, No Parity, Full Duplex.  
Baud rate: 9600
- USB 1.1

#### Touch Resolution

- 4096 × 4096

#### Conversion Time

- Approximately 10.4 ms per coordinate set (including transmitting time)

#### Touch Activation Force

- Touch force less than 120g (adjust allowed)

#### Environment Parameter

- Operating Temperature  
screen: -20°C ~ +50°C, controller: 0°C ~ +65°C

- Storage Temperature:screen  
-40°C~+70°C, controller: -20°C~+85°C

#### **Humidity**

- 90% RH at 40°C, noncondensing

#### **Operation Altitude**

- 3000m

#### **Reliability**

- MTBF is greater than 300,000 hours per MIL-HDBK-217-F2 using the parts stress calculation method for ground benign environment with an ambient temperature of 25°C.

#### **ESD**

- Per EN 61000-4-2: Contact discharge 4kV, air discharge 8KV.

#### **Flammability**

- The printed circuit board substrate is rated with 94V0.

#### **Agency Approval**

- UL
- Systems incorporating GT touchscreens, controllers, and cables have been approved for CE marking. Where appropriate, Touchmonitors are marked CE compliant, and are typically Class B.
- Systems incorporating GT touchscreens, controllers, and cables have been approved to FCC Class A compliance. Touchmonitors typically are FCC Class B verified

#### **ROHS Declaration**

- The touch system including Controller, Touchscreen and Cable is ROHS compliant.

#### **CONTROLLER**

- Now the TouchScreen controllers of GeneralTouch company is ST6201SU

#### **Physical Characteristics**

##### **Construction**

- Multi-layer surface-mount design with internal ground plane for EMI suppression

##### **Dimensions**

- Total Width: 67mm
- Total Length: 85 mm
- Total height: 12mm (Including connectors)

Appendix :  
Fig. 1:SCTL4V42BR

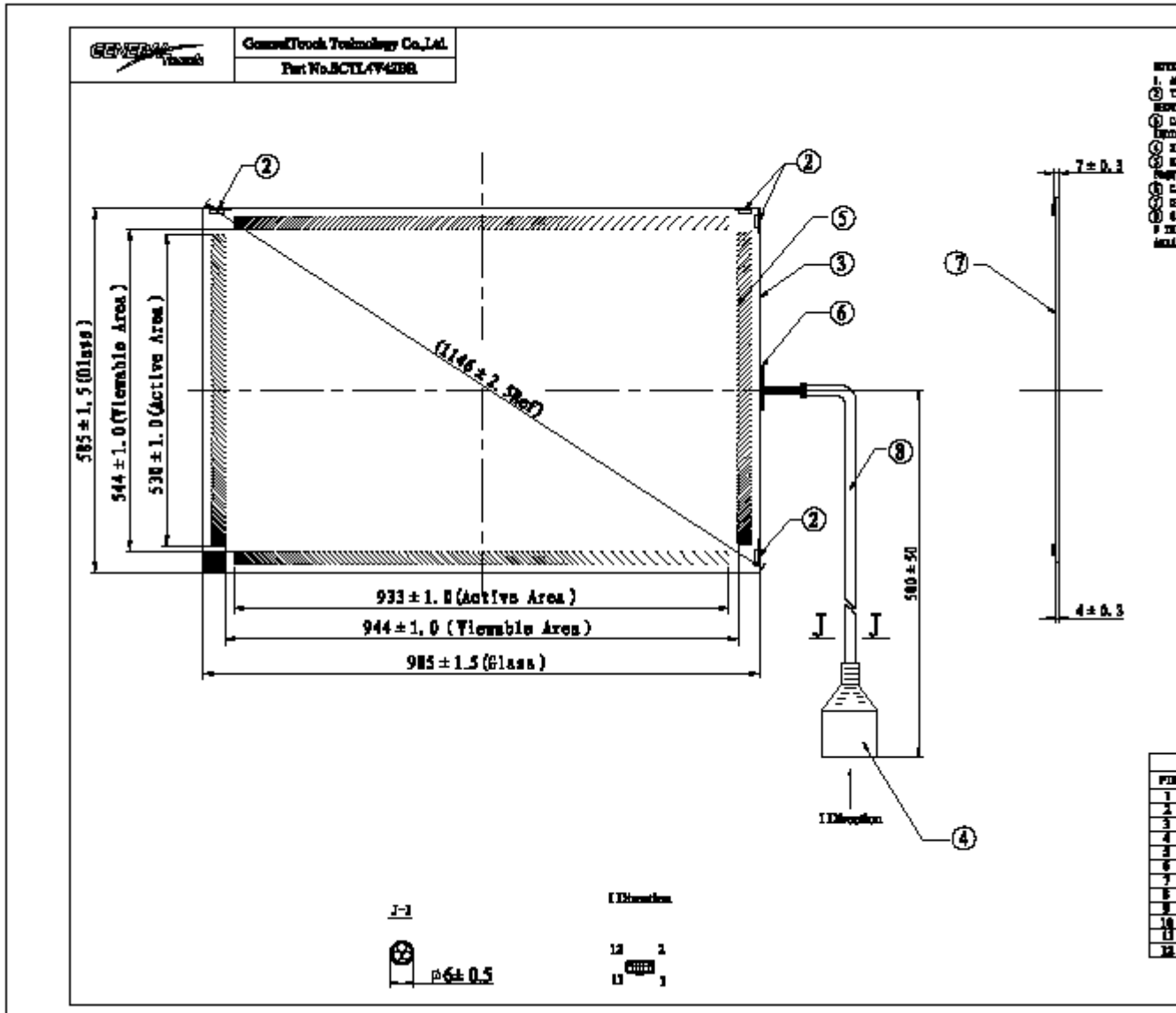
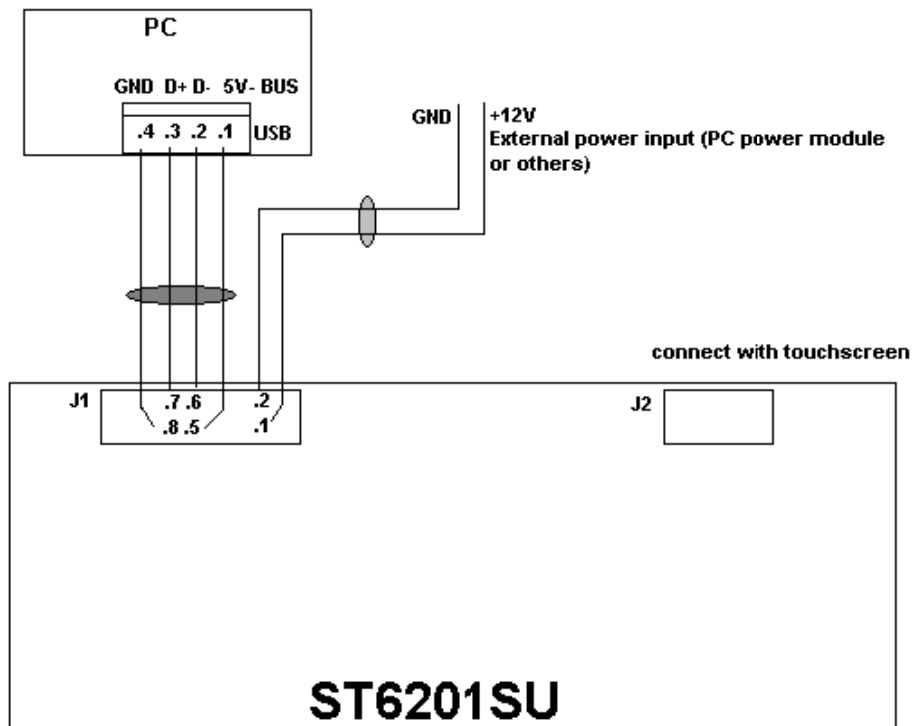
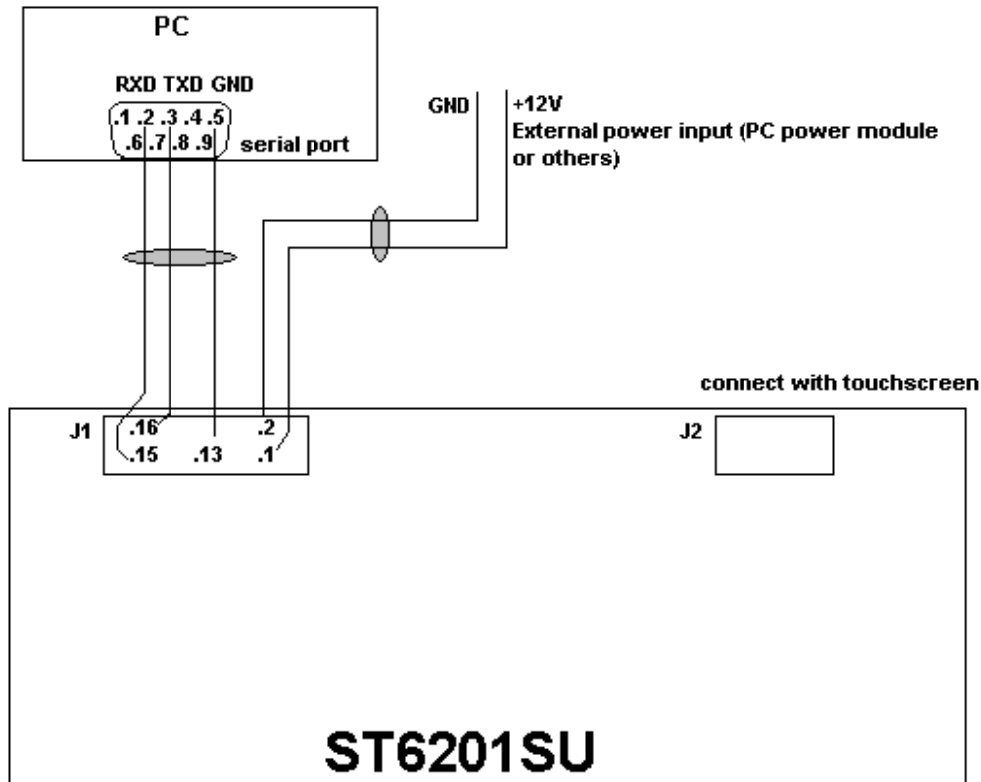
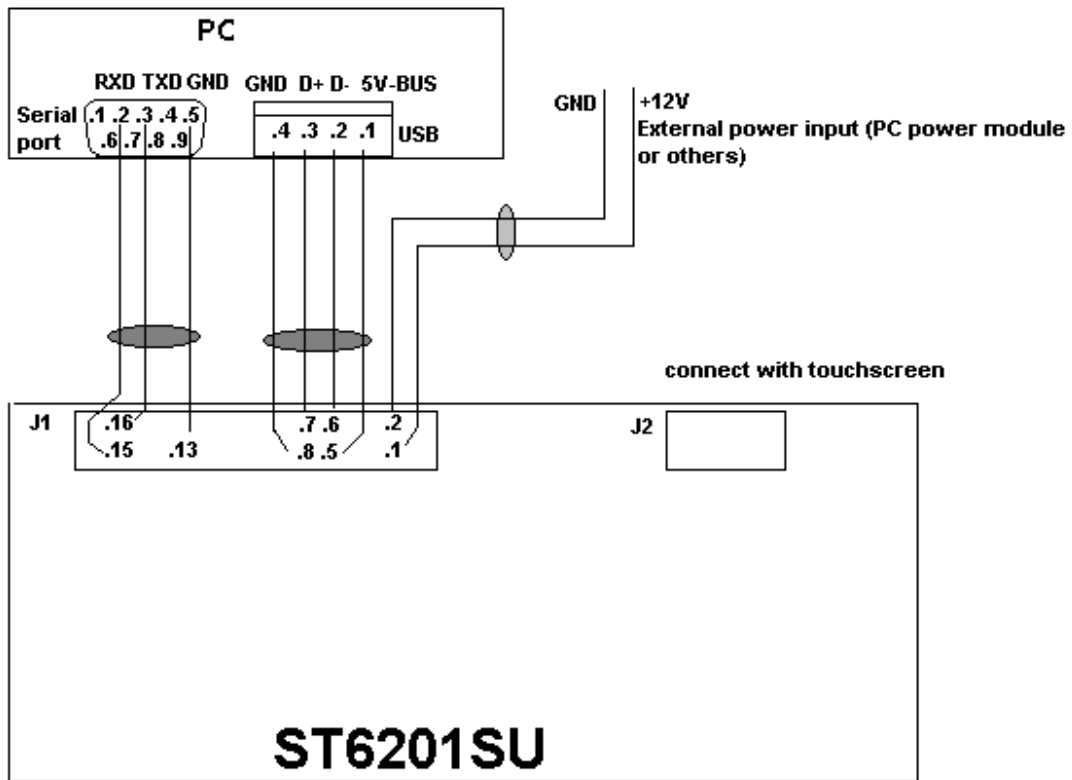


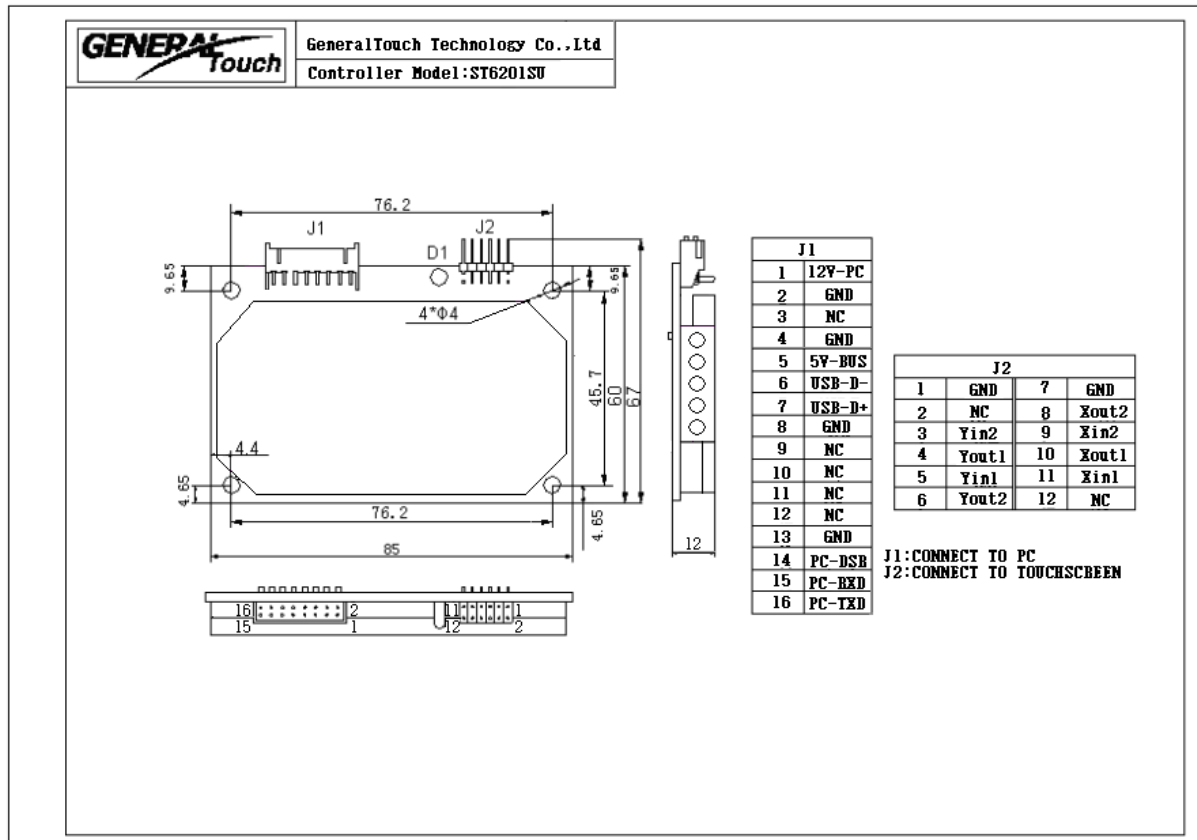
Fig. 2: Communication configuration





Serial、USB Mode

Fig. 3: Controller external dimensions



**Operation platform**

Windows98/ME

Windows 2000/XP

You can get these drivers download from our website:

[www.generaltouch.com](http://www.generaltouch.com)