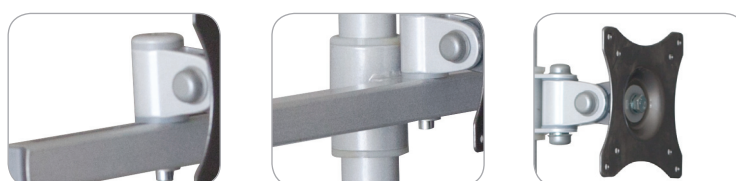


SV09 ■ Triple LCD Desk Mount 14" - 22"



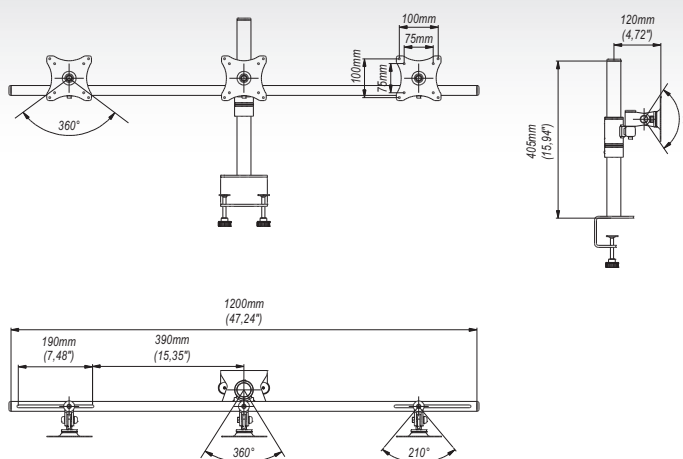
Features

- 1 **QUICK INSTALLATION**
easy installation of the product i ekranów
- 2 **ADJUSTABLE POSITION**
vertical and horizontal with 360° rotation
- 3 **MOUNTING OPTION**
2 fixture types included



Technical Data

			
75x75 mm 100x100 mm	14"-22"	210°	min. 75x75 mm max. 100x100 mm
			
30 Kg	160°	360°	



Accessories

Series GDA



Series SVA



Trade Information

Index	Colour	Package	EAN
SV09c-B	■	■	5908252960583
SV08s-B	■	■	5908252960590
Package Dimensions [mm] (H x W x D)		1300x210x170	
Weight [Kg]		6.9	