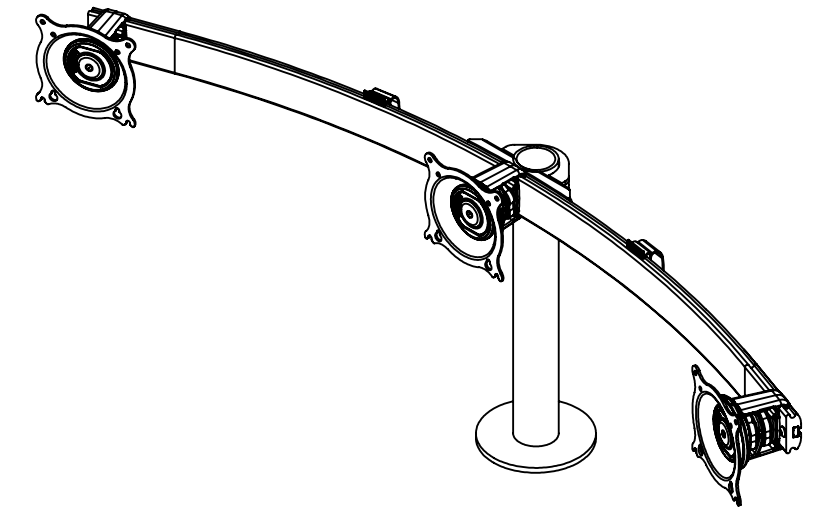
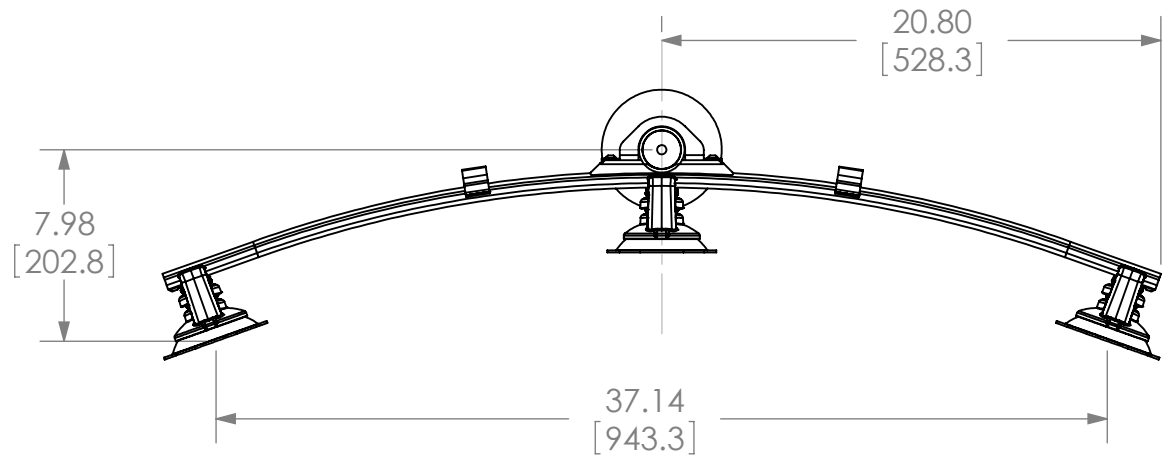
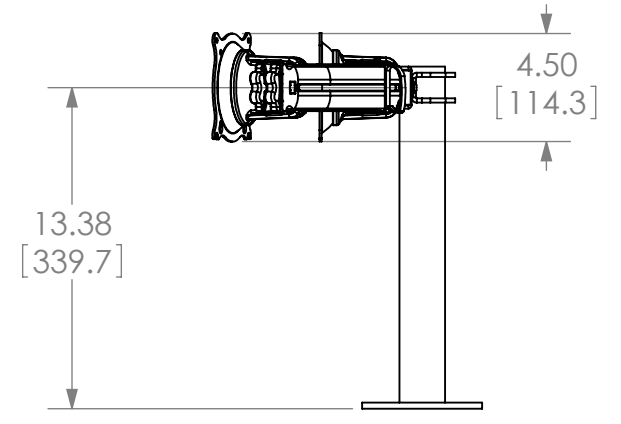
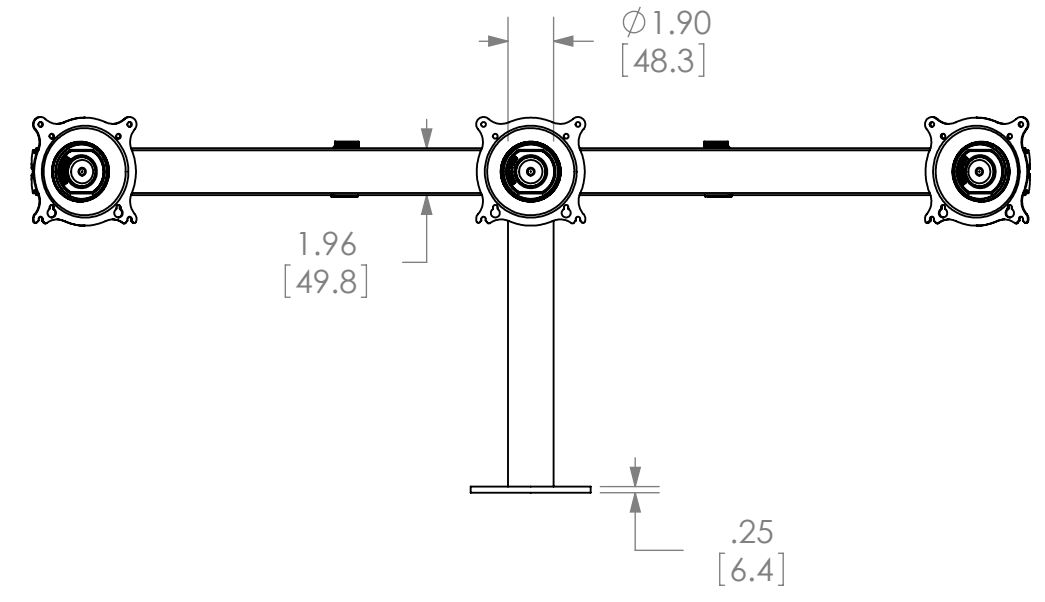


1 2 3 4 5 6 7 8

KTG-320



IF SAME SIZE DISPLAY IS USED FOR ALL THREE,  
MAXIMUM SCREEN WIDTH OF 18.0"



**CHIEF** CHIEF MANUFACTURING INC.  
MOUNT ORDER NUMBER IS KTG-320  
PHONE: 1-800-582-6480

SHEET SCALE = 1:8

THE INFORMATION AND DESIGNS CONTAINED  
IN THIS DRAWING ARE CONFIDENTIAL AND THE  
PROPRIETARY PROPERTY OF CHIEF MFG., INC.  
NEITHER THIS DESIGN NOR ANY INFORMATION  
CONTAINED IN THIS DRAWING MAY BE  
REPRODUCED OR DISCLOSED TO OTHERS  
WITHOUT THE EXPRESS WRITTEN CONSENT OF  
CHIEF MFG., INC.

**CHIEF** 8401 EAGLE CREEK PKY  
SUITE #700  
SAVAGE, MN 55378  
PHONE: 952-894-6280  
FAX: 877-894-6918

TITLE  
**CUSTOMER PRINT  
KTG-320**

SIZE DWG. NO.  
**B KTG-320**

1 2 3 4 5 6 7 8