



Rewritable Card Reader/Writer TCP300V Series

Powerful Loyalty Weapon
All-in-one package for the quick start of Point Card Program and increasing your sales revenue in short time!

integrated keypad and LCD

Standard Point Program with flexible customer setting



Feature:

- 3^{sec}** 3 seconds to rewrite TC card
No need for waiting
- 1^{GB}** Compact Flash slot enables to store few million transaction data
- 3^{type}** Besides Standard RS-232C, USB and LAN are optional interface for online operation in order to support high speed network and fast communication speed with PC
- 20^{char} / 6^{lines}** The Large LCD offers the best visual area of max 20 characters (single byte) X 6 lines display, the top in the industry



* for online mode only

TCP300Vseries

Standalone model

Interface	Card Types	Complact Flash	Display	Printing
RS-232C LAN* USB*	Silver Leuco Thermal	1 GB +	Large and tilting LCD 20 char X 6 lines	approx 3 sec (silver card)



Δ Pre-installed Standard Point Program

The pre-installed application enables quick start of loyalty system. Customer can earn the points depending on their expense and redeem a gift after accumulating the points. Rich features are allowed to set by the users such as point rate, welcome point, user define point, green point, ...etc.

Δ Large memory capacity

Generic "compact flash (CF) card" slot enables easy storage of the transaction data. Owners can edit and analysis the data when day off.

Δ Automatic Data Transmission

Data can be sent to the server after connecting the Modem.



Δ Popular Card Types

It supports 3 major card types including silver card, Leuco card and low cost one-time thermal card (Online mode only).

Δ Large LCD Monitor

The screen can display max 20 English characters with 6 lines totally and the tilting angle can be adjusted for the best visual quality.

Δ 10 Key Pad

The key size has been enlarged in order to avoiding any typing mistakes. Function key is isolated and convenient for the operator.

Δ Fashion & Compact Design

Small size can save the space in the counter or cashier. It can fit your design easily.

Δ Fast Rewritable process

Only 3 seconds can rewrite silver card and your customers do not need to wait

Δ High Speed Network(Optional)

Optional LAN interface is available for high speed data transmission. It suits for setting up high speed online network for data sharing and utilization. USB interface is also available for your flexible combination. (Both interfaces support online mode only)



Δ Easy Maintenance

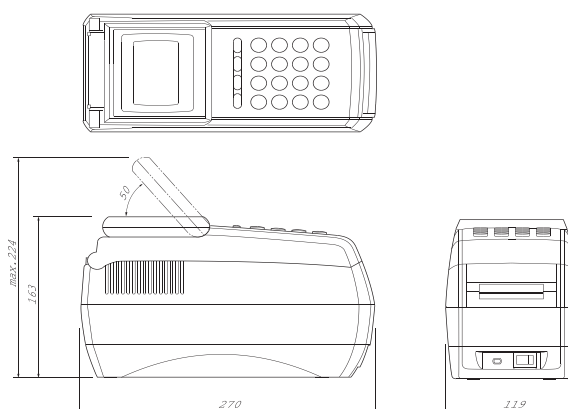
Only 2 steps can open the cover and it will resume normal quickly.

TCP300V Specification

Card	Material	PET	
	Dimension	85x54mm	
	Thickness	0.18-0.33mm	
	Magnetic Stripe	Type JIS 2 Read/Write (1 track, 69bytes) Pls contact us for other spec	
Print	Printing Method	Thermal	
	Font	Gothic	
	Characters	20 columns X 13 lines (24 X 24 dot font) 40 columns X 13 lines (12 X 24 dot font)	
Reader/Writer	Interface	RS-232C (D-sub 9 pin) standard USB (option; for online mode only) LAN(option; for online mode only)	
	Card Feed Speed	400mm/sec when accessing magnetic stripe 60mm/sec when printing	
	Display	Large LCD Display with tilt function	
	Power Supply	Applies for local conditions	
	Dimension	Size	119(W)x270(D)x164.5-224(H)mm
		Weight	Approximately 3 Kgs
	Safety Standard	Applies for local conditions	
	Reliability	Operating Temperature	5-35 degree centigrade
Operating Humidity		20-80%RH(without condensation)	

Δ Dimension

(unit:mm)



(Reference only)

Star-Asia Technology Ltd.

Room 1907-08, 19/F, Enterprise Square Two,
3 Sheung Yuet Road, Kowloon Bay, Hong Kong
Tel : +852-2799 6682 Fax : +852-2798 5050
http://www.starasia.com
Email: billy@starasia.com

Manufacturer:
Star Micronics Co., Ltd. **9001ISO14001**
CERTIFIED

1. The specification is subject to change without prior notices.
2. The pictures in this catalog may look different in color with the actual product due to the printing condition.