



PU-1107EX

v1.3 HDMI - Single CAT6

Repeater

OPERATION MANUAL



• **Disclaimers**

The information in this manual has been carefully checked and is believed to be accurate. Cypress Technology assumes no responsibility for any infringements of patents or other rights of third parties which may result from its use.

Cypress Technology assumes no responsibility for any inaccuracies that may be contained in this document. Cypress also makes no commitment to update or to keep current the information contained in this document.

Cypress Technology reserves the right to make improvements to this document and/or product at any time and without notice.

• **Copyright Notice**

No part of this document may be reproduced, transmitted, transcribed, stored in a retrieval system, or any of its part translated into any language or computer file, in any form or by any means - electronic, mechanical, magnetic, optical, chemical, manual, or otherwise - without express written permission and consent from Cypress Technology.

© Copyright 2010 by Cypress Technology.

All Rights Reserved.

Version 1.0 November 2010

• **Trademark Acknowledgments**

All products or service names mentioned in this document may be trademarks of the companies with which they are associated.

• **Safety Precautions**

Please read all instructions before attempting to unpack or install or operate this equipment, and before connecting the power supply. Please keep the following in mind as you unpack and install this equipment:

- Always follow basic safety precautions to reduce the risk of fire, electrical shock and injury to persons.
- To prevent fire or shock hazard, do not expose the unit to rain, moisture or install this product near water.
- Never spill liquid of any kind on or into this product.
- Never push an object of any kind into this product through module openings or empty slots, as you may damage parts.
- Do not attach the power supply cabling to building surfaces.
- Do not allow anything to rest on the power cabling or allow it to be abused by persons walking on it.
- To protect the equipment from overheating, do not block the slots and openings in the module housing that provide ventilation.

• **Revision History**

<i>Version No</i>	<i>Date</i>	<i>Summary of Change</i>
<i>RDV1</i>	<i>20101111</i>	<i>Preliminary Release</i>
<i>RDV2</i>	<i>20101315</i>	<i>Power Supply Change</i>

Table of Contents

1. Introduction	1
2. Applications	1
3. Package Contents	1
4. System Requirements	1
5. Features	2
6. Specifications	3
7. Operation Controls and Functions	4
7.1 Front Panel	4
7.2 Rear Panel	5
8. Connection and Installation	6
9. Acronyms	7

1. Introduction

The HDMI™/CAT6 to Single CAT6 Extender is an advanced solution for HDMI and CAT6 signal distribution. The CAT6 output port can be easily connected to CAT6 to HDMI receivers to allow a stable connection between an HDMI source and any compatible HDMI display or it can be cascaded to extend the signal to several hundred meters.

2. Applications

- HDMI over single CAT6 extender
- Single CAT6 cascade extension

3. Package Contents

- HDMI/CAT6 to single CAT6 extender
- Operation Manual
- 5V 1A DC Adaptor

4. System Requirements

Input HDMI/DVI source equipment or HDMI to single CAT6 transmitter and output to single CAT6 to HDMI receiver.

5. Features

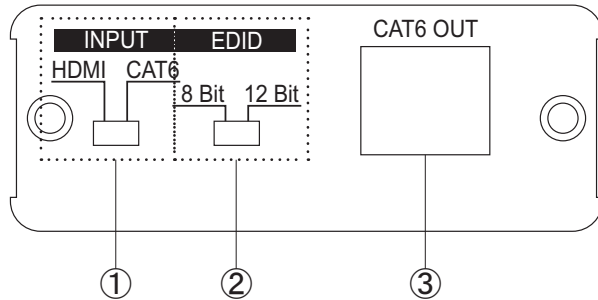
- HDCP1.1 and DVI1.0 compliant.
- HDMI v1.3 with Deep color video up to 12bit, 1080p@(24/60)Hz.
- Supports LPCM7.1CH, Dolby TrueHD, Dolby Digital Plus and DTS-HD master audio transmission (32-192 kHz Fs sample rate).
- Supports a wide range of PC and HDTV resolutions from VGA to WUXGA and 480i to 1080p.
- Full HDCP Compliant.
- EDID 8/12 bits setting switch.

6. Specifications

Bandwidth Frequency	2.25Gbps (single link)
Input Ports	1 x HDMI female port , 1 x CAT6 input
Output Ports	1 x CAT6 output
EDID	TV
HDMI Cable In	1080p 8-bit (15M), 12-bit (15M)
CAT6 Cable In / Out	1080p 8-bit (45M), 12-bit (15M)
HDMI Resolution	480i, ~ 1080p 50/60, 1080p 24, VGA ~ WUXGA
ESD Protection	Human body model: $\pm 8\text{kV}$ (air-gap discharge) $\pm 4\text{kV}$ (contact discharge)
Power Supply	5VDC/1A (US/EU standards, CE/FCC/UL certified)
Dimensions (mm)	78.5 (W) x 102 (D) x 30(H)
Weight(g)	182
Chassis Material	Metal
Silkscreen Color	Silver
Power Consumption	4.1W
Operating Temperature	0°C ~ 40°C / 32°F ~ 104°F
Storage Temperature	-20°C ~ 60°C / -4°F ~ 140°F
Relative Humidity	20~90% RH (non- condensing)

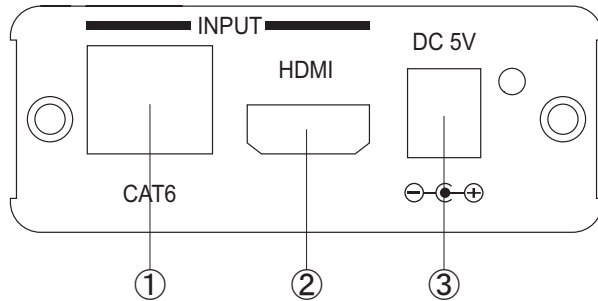
7. Operation Controls and Functions

7.1 Front Panel



- ① INPUT HDMI/ CAT6 switch: This switch allows users to choose input signal from HDMI or CAT6 input connection.
- ② EDID 8/12 bit switch: This switch allows users to choose output display's EDID to 8/12 its.
- ③ CAT6 OUT: This slot is to connect to output display with single CAT6 to HDMI receiver device.

7.2 Rear Panel

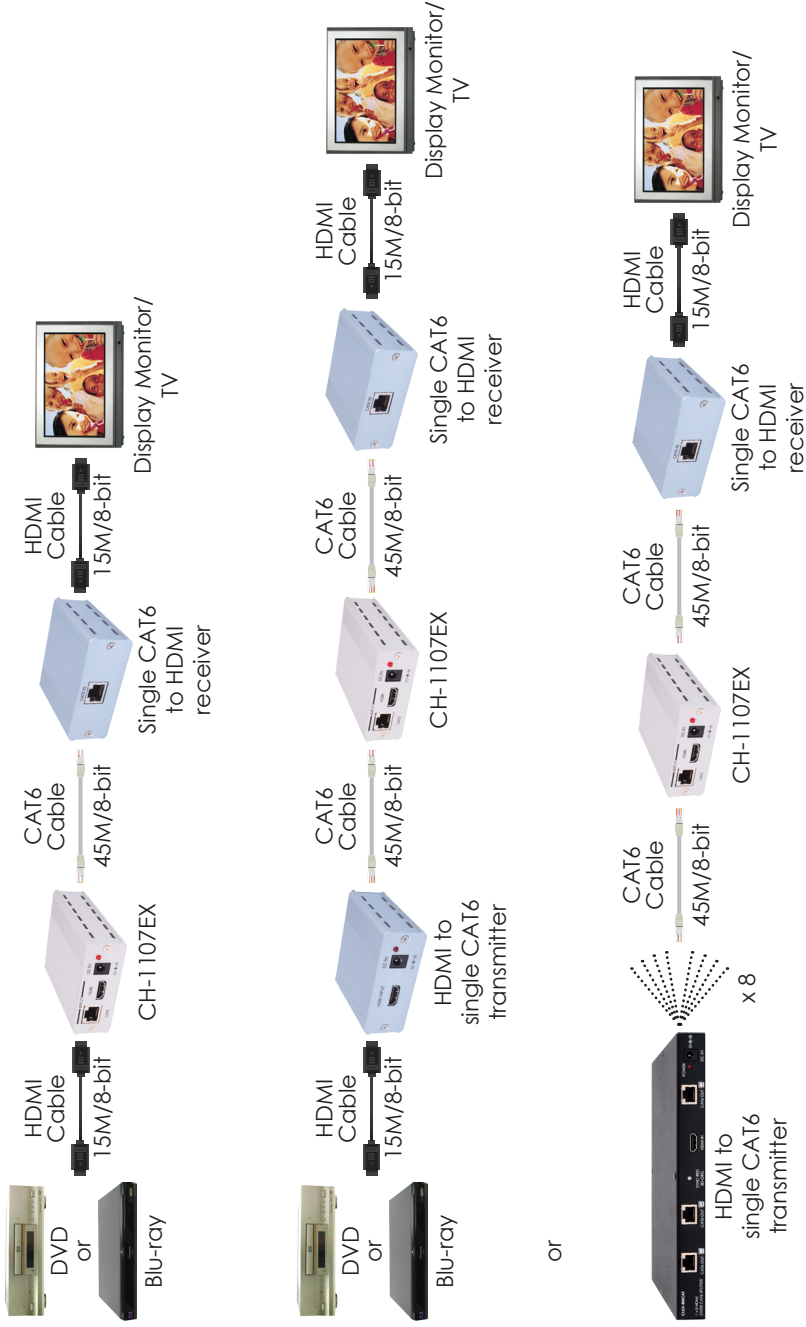


- ① INPUT CAT6: This slot is to connect with input source device with HDMI to single CAT6 transmitter device.
- ② INPUT HDMI: This slot is to connect with input source device such as DVD/ Blue-Ray player.
- ③ DC 5V: This slot is where you plug the 5V DC power supply into the unit and connect the adaptor to an AC outlet.

Note:

- A. Cable tested with CAT6E/23AWG/Solid, using cables of another type may result in a different operating distance.
- B. Equipment used in cable distance testing included: PS3 20G, 37" Philips 8 bit LCD TV and 40" Samsung 12 bit LCD TV.
- C. Figures provided in this manual are for reference only, actual performance may depend on the source and display used along with the type of cable.

8. Connection and Installation





Acronyms

Acronym

Complete Term

CAT6

Category 6 Cable

HDMI

High-Definition multimedia Interface



www.cypeurope.com

